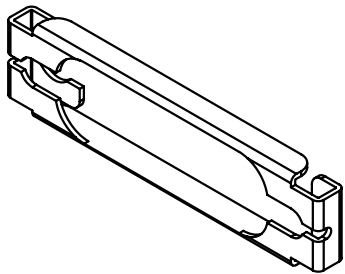
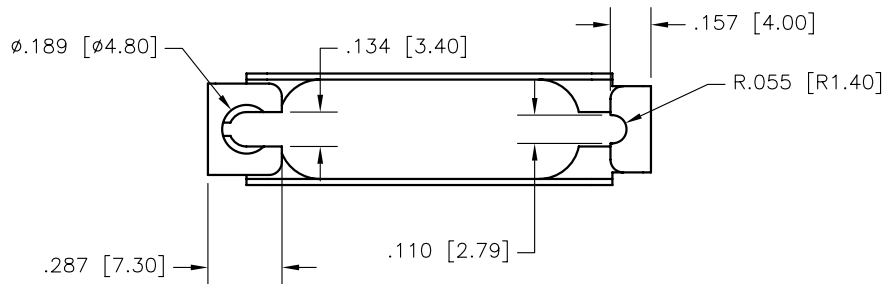
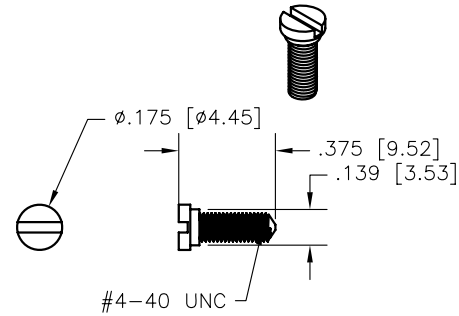
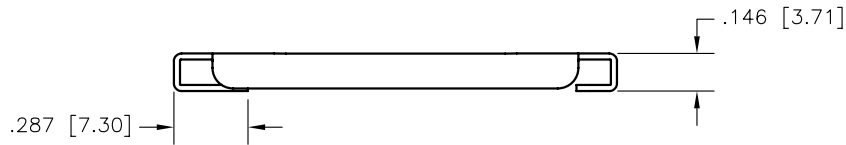
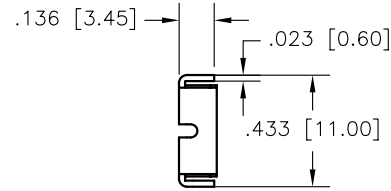
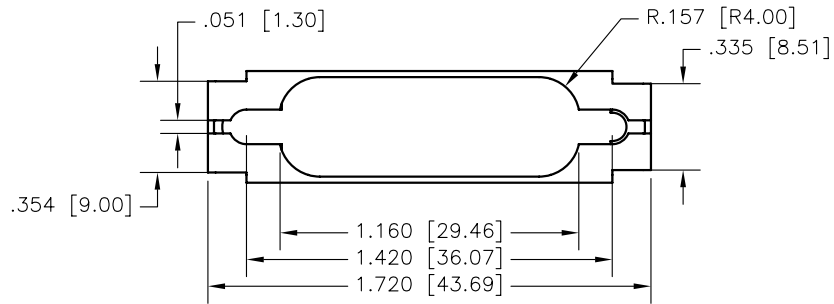


REV	DATE	DESCRIPTION	APP



- NOTES:
 1. SLIDE LATCH MATERIAL: STAINLESS STEEL
 2. SLIDE LATCH SCREWS: NICKEL PLATED STEEL
 3. KIT CONSISTS OF:
 1 - SLIDE LATCH
 2 - SLIDE LATCH SCREWS

THIS IS A CONTROLLED DOCUMENT AND IS SUBJECT TO CHANGE. CONTACT NORTHERN TECHNOLOGIES ENGINEERING FOR THE LATEST REVISION.

UNLESS OTHERWISE SPECIFIED	SIGNATURES	DATE	Northern Technologies		THIS DRAWING IS THE PROPERTY OF NORTHERN TECHNOLOGIES AND SHOULD NOT BE REPRODUCED WITHOUT NORTHERN TECHNOLOGIES WRITTEN PERMISSION.
1. DIMENSIONS IN INCHES [MM] 2. TOLERANCE UNLESS OTHERWISE SPECIFIED .XXX ± .005 [0.127] .XX ± .02 [0.508] .X ± .03 [0.762] FRACT. ± 1/32" ANGULAR ± 1/2°	DRAWN Luis C.	12-SEP-08	PART NUMBER C89E014021B		DESCRIPTION 15C SLIDE LATCH KIT TYPE 2
	CHECKED JSD	12-SEP-08	DESCRIPTION 15C SLIDE LATCH KIT TYPE 2		
	ISSUED	12-SEP-08	SHEET 1	CODE 7100_042	DWG NO. 7100-500-042
	SCALE N.T.S.	SHEET 1 OF 1			