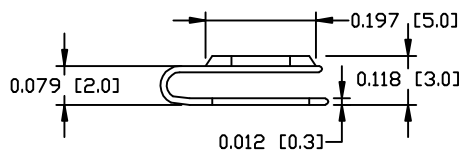
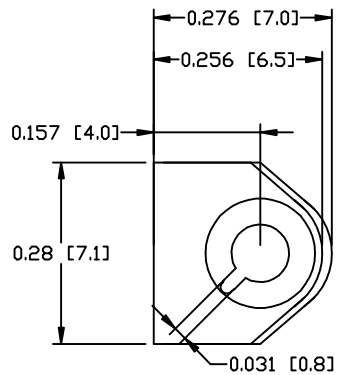
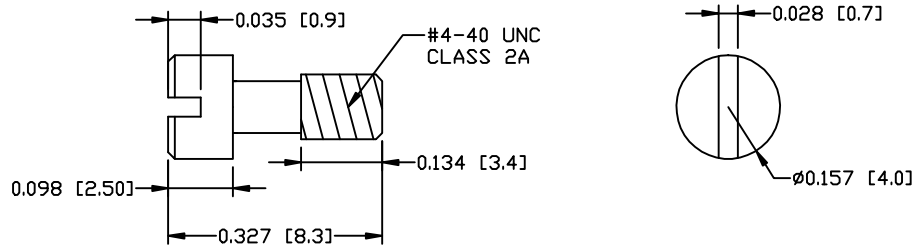


REV	DATE	DESCRIPTION	APP
A	03-OCT-05	ECN 0576	
B	17-NOV-05	ECN 0586	
C	01-SEP-10	ECN 0692	



NOTES:

1. CAPTIVE SCREW MATERIAL: CR STEEL
2. CAPTIVE SCREW FINISH: NICKEL PLATE
3. RETAINING CLIP MATERIAL: STAINLESS STEEL
4. KIT CONSISTS OF:
 - 2 - CAPTIVE SCREWS
 - 2 - RETAINING CLIPS

THIS IS A CONTROLLED DOCUMENT AND IS SUBJECT TO CHANGE. CONTACT NORTHERN TECHNOLOGIES ENGINEERING FOR THE LATEST REVISION.

UNLESS OTHERWISE SPECIFIED	SIGNATURES	DATE	Northern Technologies		
1. DIMENSIONS IN INCHES [MM] 2. TOLERANCE UNLESS OTHERWISE SPECIFIED .XXX ± .005 [0.127] .XX ± .02 [0.508] .X ± .03 [0.762] FRACT. ± 1/32 ANGULAR ± 1/2°	DRAWN JSD	26-JUL-05	THIS DRAWING IS THE PROPERTY OF NORTHERN TECHNOLOGIES AND SHOULD NOT BE REPRODUCED WITHOUT NORTHERN TECHNOLOGIES WRITTEN PERMISSION.		
	CHECKED SCN	26-JUL-05	PART NUMBER C89E014008		
	ENG		DESCRIPTION MALE SCREW SET KIT [R0HS]		
	ISSUED	26-JUL-05	SHEET 1	CODE 7100_028	DWG NO. 7100-500-028
		SCALE N.T.S.	SHEET 1 OF 1		