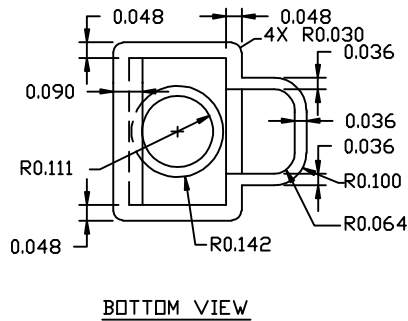
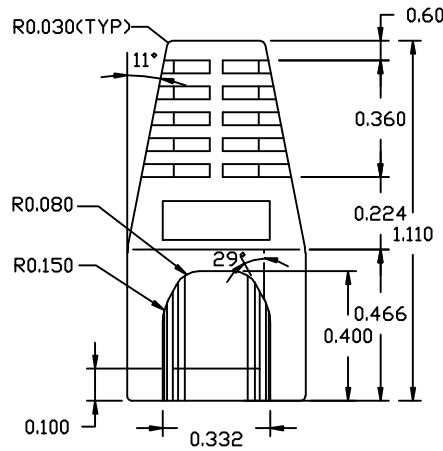
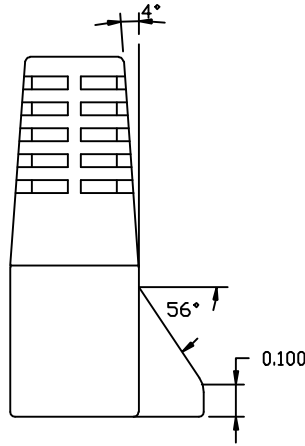
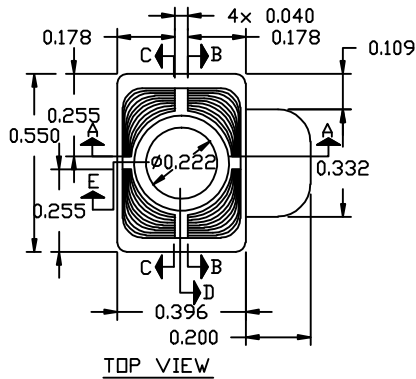


REV	DATE	DESCRIPTION	APP
A	09-MAR-06	ECN 0591	
B	13-JUN-16	ECN 0789	



THIS IS A CONTROLLED DOCUMENT AND IS SUBJECT TO CHANGE. CONTACT NORTHERN TECHNOLOGIES ENGINEERING FOR THE LATEST REVISION.

FLEXIBLE PLASTIC COVER/  
STRAIN RELIEF FOR RJ-45 PLUGS

PART NUMBER      COLOUR

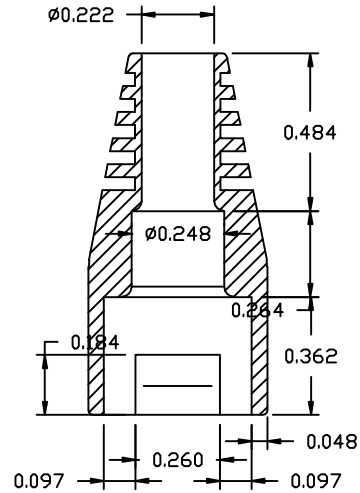
3000E10000	---	CLEAR
3000E10001	---	BLACK
3000E10003	---	DARK GRAY
3000E10004	---	YELLOW
3000E10005	---	GREEN
3000E10006	---	BLUE
3000E10007	---	VIOLET
3000E10008	---	RED
3000E10009	---	LIME GREEN
3000E10010	---	WHITE
3000E10011	---	LIGHT GRAY
3000E10012	---	ORANGE
3000E10014	---	BROWN
3000E10015	---	PINK

NOTE:

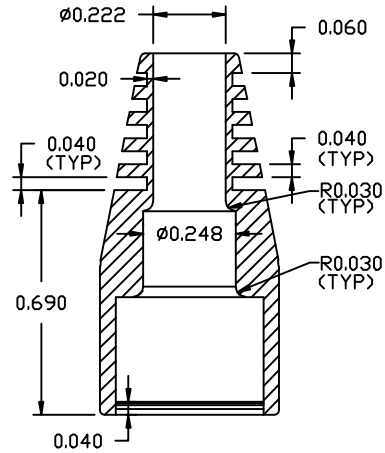
1. MATERIAL: FLEXIBLE PVC COMPOUND

UNLESS OTHERWISE SPECIFIED	SIGNATURES	DATE	Northern Technologies		
1. ALL DIMENSIONS ARE IN INCHES (MM) 2. DIMENSIONS ARE TYPICAL	DRAWN	L.C.	21-JUN-05	SHEET 1      CODE 7100_093      DWG NO. 7100-500-093	
	CHECKED	JSD	21-JUN-05		
	ENG			SCALE N.T.S.      SHEET 1 OF 2	
	ISSUED		21-JUN-05		
			THIS DRAWING IS THE PROPERTY OF NORTHERN TECHNOLOGIES AND SHOULD NOT BE REPRODUCED WITHOUT NORTHERN TECHNOLOGIES WRITTEN PERMISSION.		
			PART NUMBER 3000E100XX DESCRIPTION RJ-45 STRAIN RELIEF		

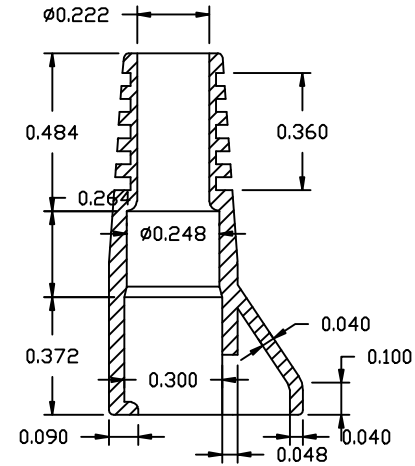
REV	DATE	DESCRIPTION	APP



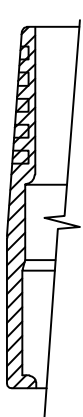
SECTION B-B



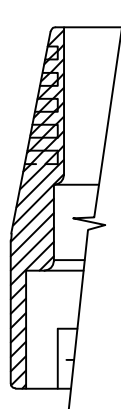
SECTION C-C



SECTION A-A



SECTION E-E



SECTION D-D

THIS IS A CONTROLLED DOCUMENT AND IS SUBJECT TO CHANGE. CONTACT NORTHERN TECHNOLOGIES ENGINEERING FOR THE LATEST REVISION.

UNLESS OTHERWISE SPECIFIED  1. ALL DIMENSIONS ARE IN INCHES (MM) 2. DIMENSIONS ARE TYPICAL	SIGNATURES		DATE		Northern Technologies		THIS DRAWING IS THE PROPERTY OF NORTHERN TECHNOLOGIES AND SHOULD NOT BE REPRODUCED WITHOUT NORTHERN TECHNOLOGIES WRITTEN PERMISSION.	
	DRAWN	L.C.	21-JUN-05		PART NUMBER		3000E100XX	
	CHECKED	JSD	21-JUN-05		DESCRIPTION		RJ-45 STRAIN RELIEF	
	ENG				SHEET		CODE	DWG NO.
	ISSUED		21-JUN-05		2	7100_093	7100-500-093	
					SCALE		SHEET	
					N.T.S.		2 OF 2	