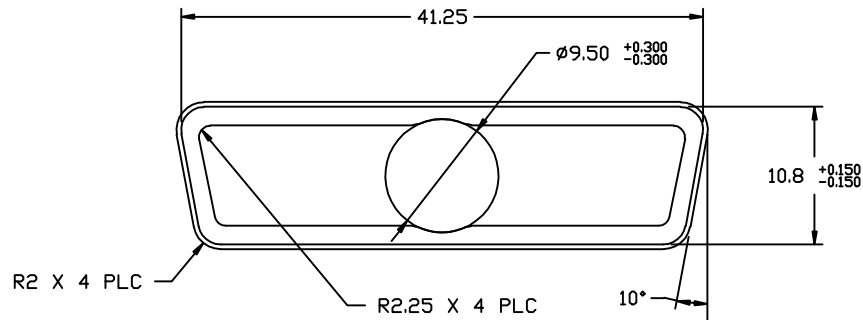
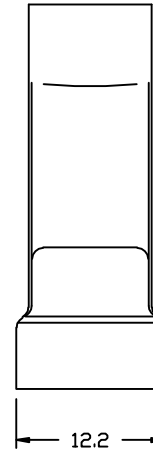
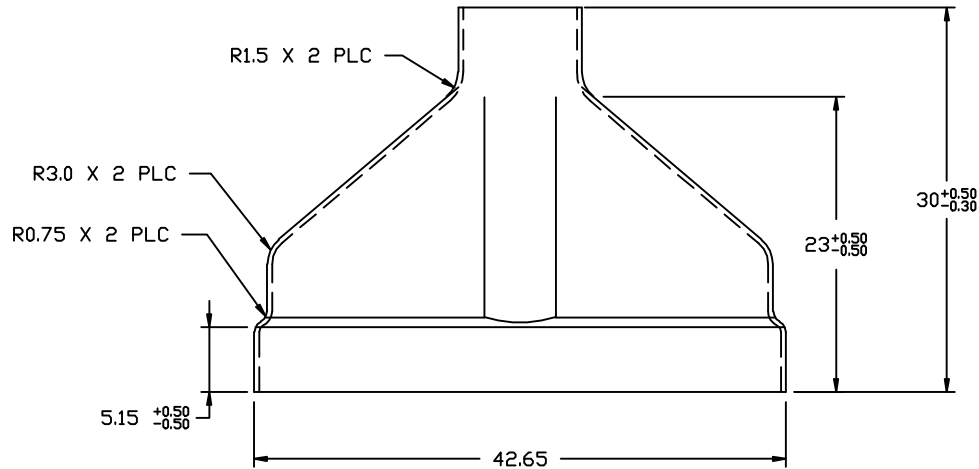


REV	DATE	DESCRIPTION	APP
A	29-JUL-05	ECN 0557	
B	15-AUG-05	ECN 0567	
C	14-JUL-14	ECN 0751	
D	06-JUN-16	ECN 0784	



NOTES:

1. MATERIAL: CR STEEL
2. FINISH: MATTE TIN
3. DIMENSIONS: MILLIMETERS
4. TOLERANCE: ±0.25 UNLESS OTHERWISE SPECIFIED

THIS IS A CONTROLLED DOCUMENT AND IS SUBJECT TO CHANGE. CONTACT NORTHERN TECHNOLOGIES ENGINEERING FOR THE LATEST REVISION.

UNLESS OTHERWISE SPECIFIED	SIGNATURES	DATE	Northern Technologies		
1. ALL DIMENSIONS ARE IN INCHES (MM) 2. DIMENSIONS ARE TYPICAL	DRAWN JSD	18-APR-05	THIS DRAWING IS THE PROPERTY OF NORTHERN TECHNOLOGIES AND SHOULD NOT BE REPRODUCED WITHOUT NORTHERN TECHNOLOGIES WRITTEN PERMISSION.		
	CHECKED SCN	18-APR-05	PART NUMBER A30E802500		
	ENG		DESCRIPTION 25C D/M CAN 9.5MM EXIT		
	ISSUED	18-APR-05	SHEET	CODE	DWG NO.
			520_167	0002-520-167	
			SCALE N.T.S.		SHEET 1 OF 1