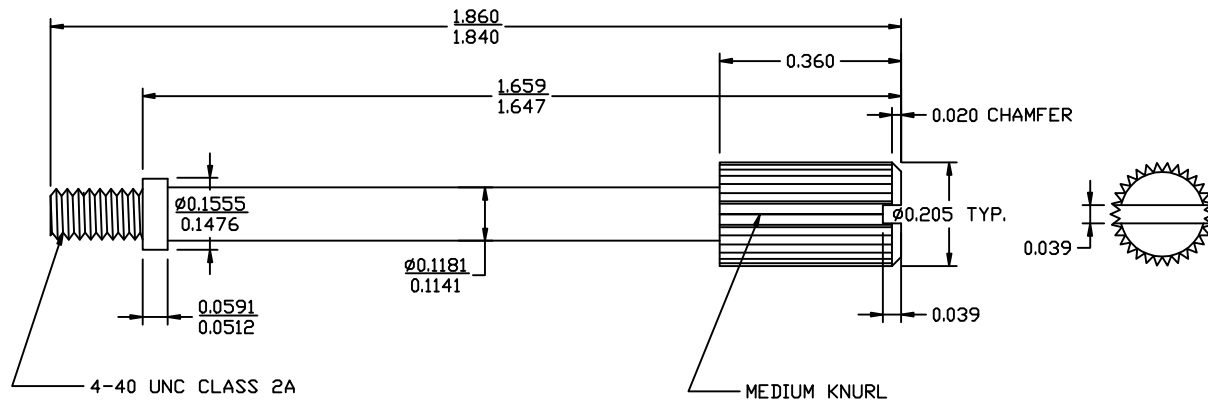


REV	DATE	DESCRIPTION	APP
A	19-APR-13	ECN 0719	



- NOTES:
1. MATERIAL: MILD STEEL
 2. FINISH: BLACK TRIVALENT ZINC
 3. ALL DIMENSIONS IN INCHES
 4. TOLERANCE: ±0.005 UNLESS OTHERWISE STATED

UNLESS OTHERWISE SPECIFIED 1. ALL DIMENSIONS ARE IN INCHES (MM) 2. DIMENSIONS ARE TYPICAL	SIGNATURES		DATE	Northern Technologies		THIS DRAWING IS THE PROPERTY OF NORTHERN TECHNOLOGIES AND SHOULD NOT BE REPRODUCED WITHOUT NORTHERN TECHNOLOGIES WRITTEN PERMISSION.
	DRAWN JSD		08-AUG-06	PART NUMBER B71E014269		
	CHECKED SCN		08-AUG-06	DESCRIPTION 4-40 X 1.85 T/SCREW BLACK (ROHS)		
	ENG					
	ISSUED		08-AUG-06	SHEET 1	CODE 520_158	DWG NO. 0002-520-158
				SCALE N.T.S.		SHEET 1 OF 1

THIS IS A CONTROLLED DOCUMENT AND IS SUBJECT TO CHANGE. CONTACT NORTHERN TECHNOLOGIES ENGINEERING FOR THE LATEST REVISION.