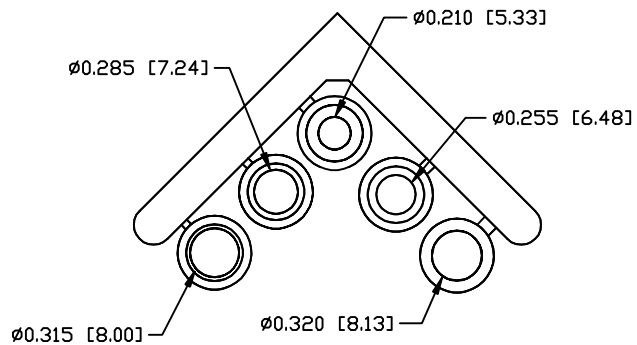
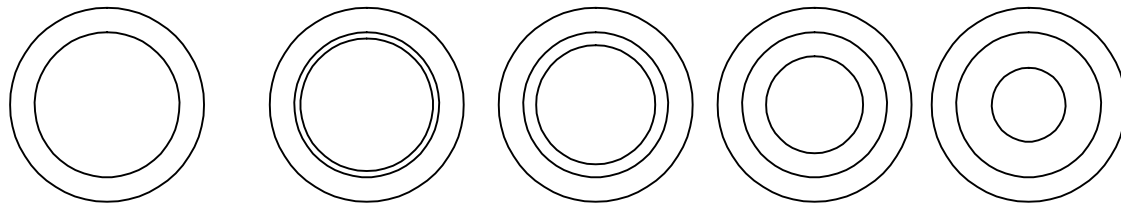
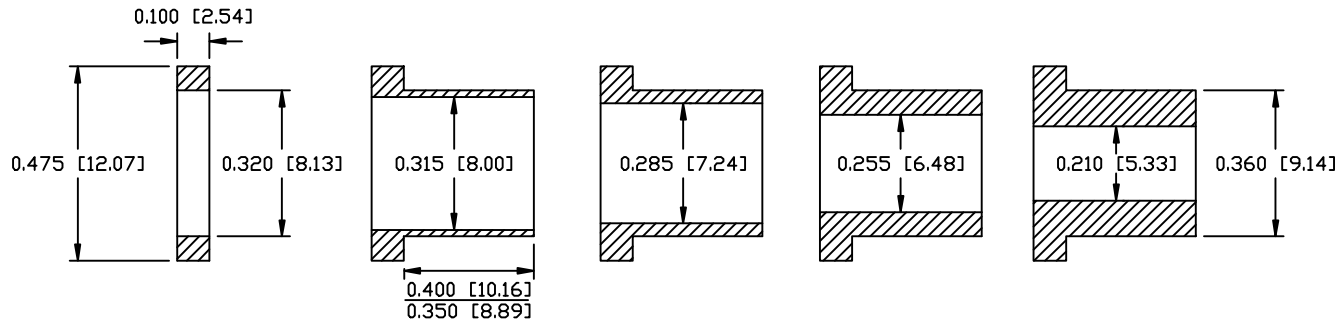


REV	DATE	DESCRIPTION	APP
A	14-JUL-05	ECN 0556	
B	20-NOV-14	ECN 0759	
C	22-MAR-17	ECN 0798A	



NOTES:

1. ALL DIMENSIONS IN INCHES [MM]
2. MATERIAL - PVC COMPOUND CA6077 BLACK 94V-0
3. DUREMETER: 74 PER ASTM 2240 SHORE A 15 SEC.
4. TOLERANCE:  $\pm 0.020$  UNLESS OTHERWISE STATED

UNLESS OTHERWISE SPECIFIED	SIGNATURES	DATE	Northern Technologies		
1. DIMENSIONS IN INCHES [MM] 2. TOLERANCE UNLESS OTHERWISE SPECIFIED .XXX $\pm .005 [0.127]$ .XX $\pm .02 [0.508]$ .X $\pm .03 [0.762]$ FRACT. $\pm 1/32$ ANGULAR $\pm 1/2^\circ$	DRAWN JSD	07-JUN-05	THIS DRAWING IS THE PROPERTY OF NORTHERN TECHNOLOGIES AND SHOULD NOT BE REPRODUCED WITHOUT NORTHERN TECHNOLOGIES WRITTEN PERMISSION.		
	CHECKED SCN	07-JUN-05	PART NUMBER A62E000001V		
	ENG		DESCRIPTION COMPRESSION INSERT 9/15C 94V-0		
	ISSUED	07-JUN-05	SHEET 1	CODE 520_008V0	DWG NO. 0002-520-008V0
			SCALE N.T.S.		SHEET 1 OF 1

THIS IS A CONTROLLED DOCUMENT AND IS SUBJECT TO CHANGE. CONTACT NORTHERN TECHNOLOGIES ENGINEERING FOR THE LATEST REVISION.