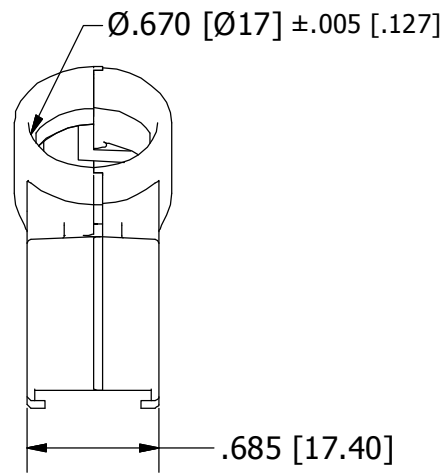
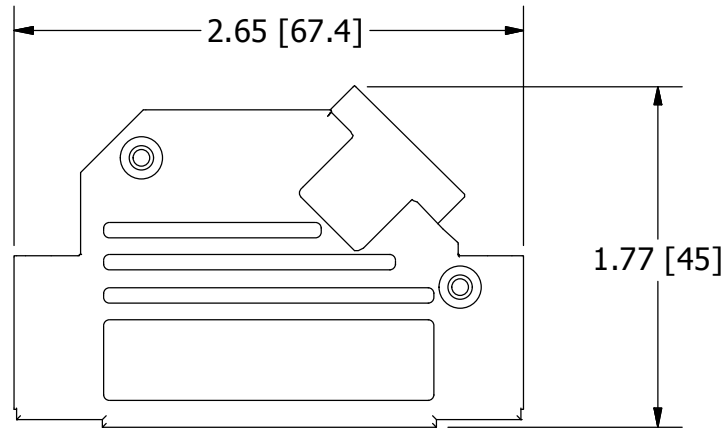


REV	DESCRIPTION	DATE	APPROVED
A	ECN 0809	30-MAR-19	
B	ECN 0843	21-AUG-23	



1 pc. cable clamp
steel w/ zinc plating



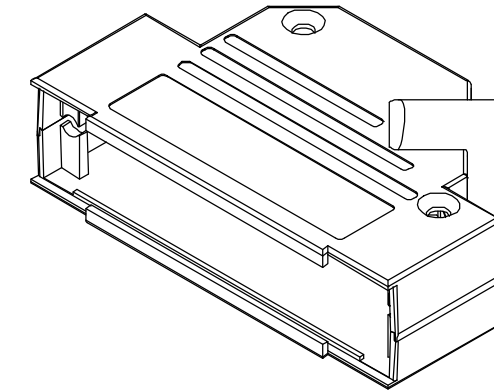
2 pcs. M3 cable Phillips clamp
screws - steel w/ zinc plating



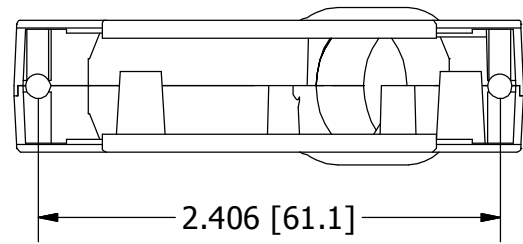
2 pcs. M3 cover top
& bottom Phillips Pozidrv #1
assembly screws - steel w/
zinc plating



2 pcs. thumbscrews
brass w/ nickel plating
(see part number
information for thread type)



CONNECTOR COVER
1. MATERIAL: Zinc die-cast
2. FINISH: nickel over copper under-plate

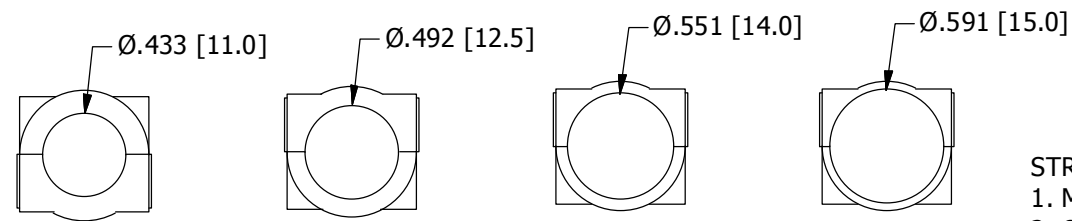


Suitable for standard 50 position d-sub or 78 position hi-density d-sub connectors.

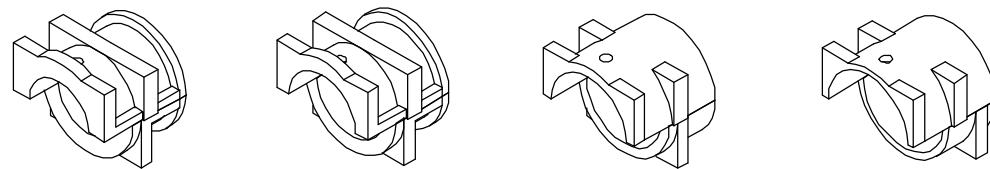
PART NUMBER INFORMATION

PART #	LOGO STYLE	THREAD	SUPPLIED
MHDE45ZK50K	NO LOGO	4-40 UNC	PACKAGED
MHDE45ZK50KM25	NO LOGO	M2.5	PACKAGED
MHDE45ZK50KM26	NO LOGO	M2.6	PACKAGED
MHDE45ZK50KM3	NO LOGO	M3	PACKAGED

2 Piece Strain Relief System - 4 sizes totalling 8 pieces.
Inserts can be mixed for maximum cable retention.



STRAIN RELIEFS
1. MATERIAL: ABS
2. COLOR: black
3. DUROMETER: 70 - Type D
4. TOLERANCE: ±0.015 [0.381]



THIS IS A CONTROLLED DOCUMENT AND IS
SUBJECT TO CHANGE. CONTACT NORTHERN
TECHNOLOGIES FOR THE LATEST REVISION.

DRAWN	JSD	31-MAR-19
CHECKED	SCN	31-MAR-19
ISSUED		31-MAR-19

**Northern
Technologies**

THIS DRAWING IS THE PROPERTY OF
NORTHERN TECHNOLOGIES AND SHOULD
NOT BE REPRODUCED WITHOUT NORTHERN
TECHNOLOGIES WRITTEN PERMISSION.

PART NUMBER SEE PART NUMBER INFORMATION

DESCRIPTION CMA 50C 45 DEGREE EXIT METAL COVER Ni PLATED

SIZE	CODE	DWG NO.	
B	200_287	0002-200-287	B
SCALE	NTS		SHEET 1 OF 1