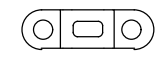
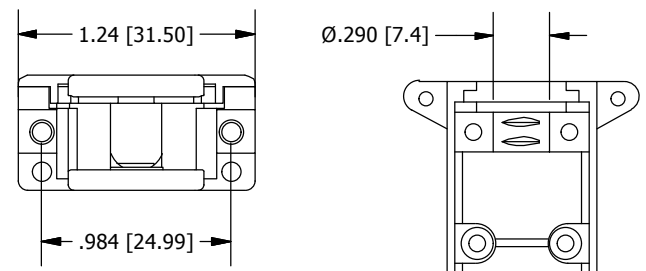
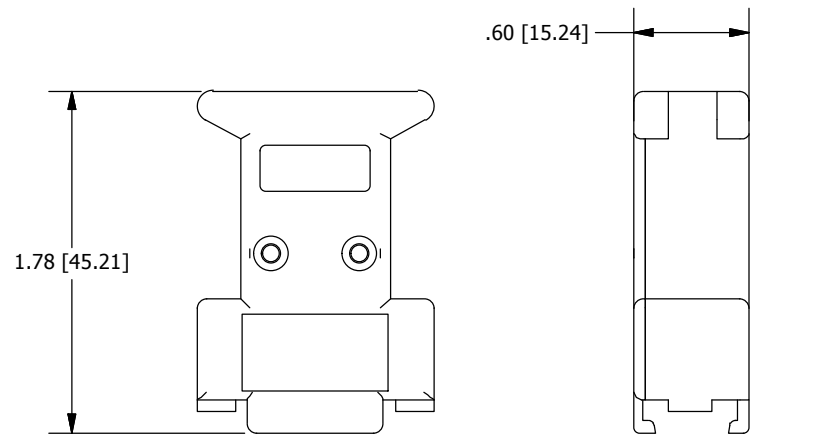


REV	DESCRIPTION	DATE	APPR
A	ECN0823	21-DEC-20	JD



Clamp: CR Steel w/zinc plating



Assembly Screw: CR Steel w/zinc plating

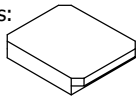
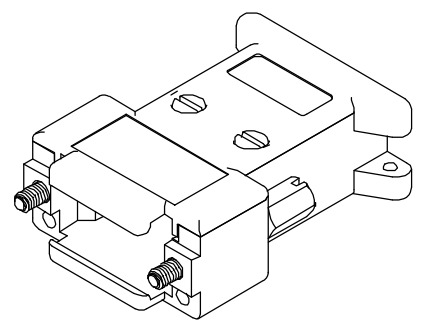


Thumbscrew: steel w/zinc plating



#4-40 UNC

OPTIONAL BLANKING PLATE AVAILABLE
 Ordered Separately - Part Numbers:
 N300BP0000 - Black
 N300MP0000 - Metalized Plastic

- Kit consists of:
- 1 - cover top
 - 1 - cover bottom
 - 2 - thumbscrews
 - 4 - assembly screws
 - 1 - cable clamp

PART NUMBERS:
 Black Plastic - N300BK0009S
 Metalized Plastic - N300MP0009S

THIS IS A CONTROLLED DOCUMENT AND IS SUBJECT TO CHANGE. CONTACT NORTHERN TECHNOLOGIES ENGINEERING FOR THE LATEST REVISION.

DRAWN	JSD	07-APR-15
CHECKED	SCN	07-APR-15
ISSUED		07-APR-15

UNLESS OTHERWISE SPECIFIED
 DIMENSIONS ARE IN INCHES [MM]
 TOLERANCE .XXX ± .010 [0.254]
 .XX ± .020 [0.508]
 .X ± .030 [0.762]
 ANGULAR ± 1½°

Northern Technologies		THIS DRAWING IS THE PROPERTY OF NORTHERN TECHNOLOGIES AND SHOULD NOT BE REPRODUCED WITHOUT NORTHERN TECHNOLOGIES WRITTEN PERMISSION.	
		PART NUMBER SEE PART NUMBER INFORMATION	
DESCRIPTION		CPP3/CMP3 09 STR EXIT	
SIZE	CODE	DWG NO.	REV
A	200_283	0002-200-283	-
SCALE	N.T.S.	SHEET	1 OF 1