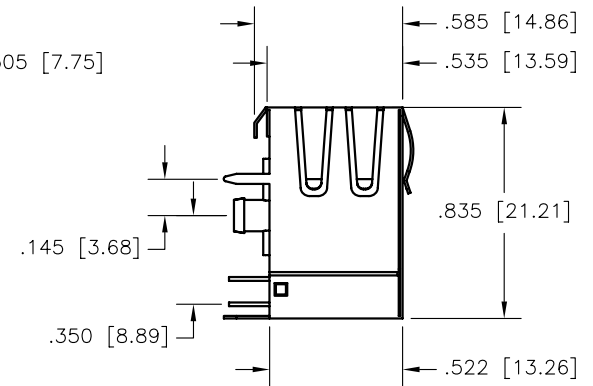
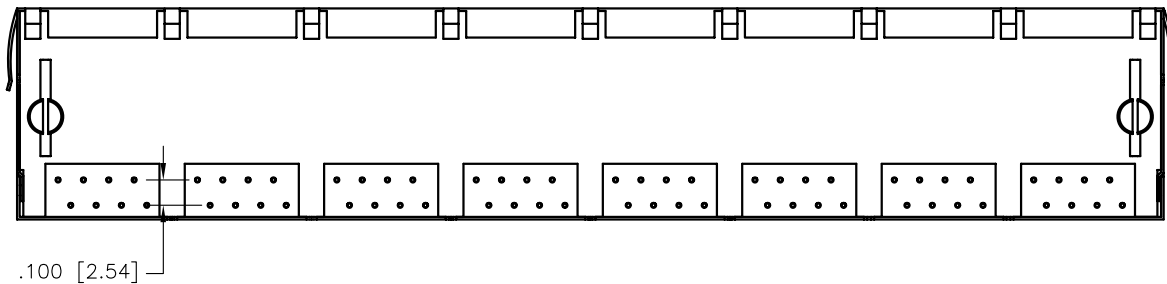
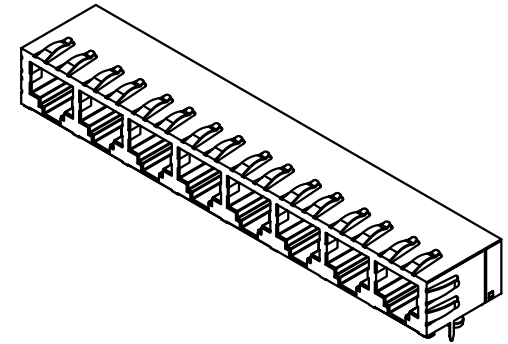
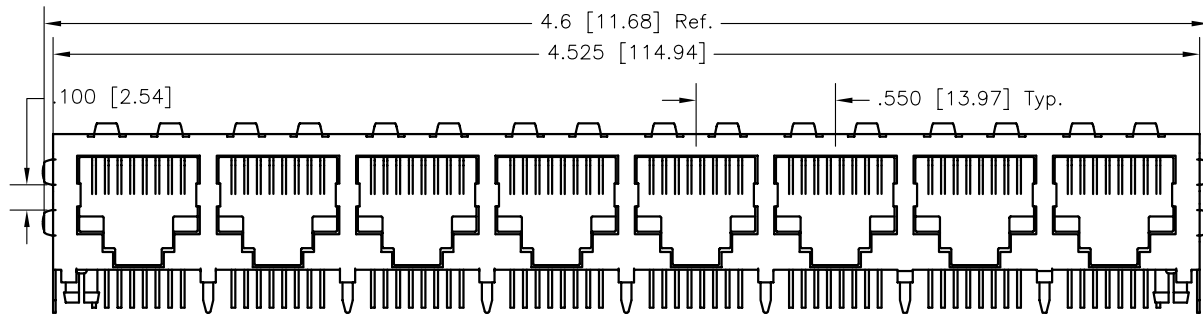


REV	DATE	DESCRIPTION	APP



**MATERIAL:**  
Housing: PBT Glass Filled – UL94V-0  
Shield: Tin Plated Copper Alloy  
Contacts: Phosphor Bronze 50u” Gold Over Nickel

**ELECTRICAL:**  
Insulation Resistance: 500 Megohms minimum  
Dielectric Withstanding Voltage: 1000V RMS  
Contact Resistance: 30 Milliohms max.

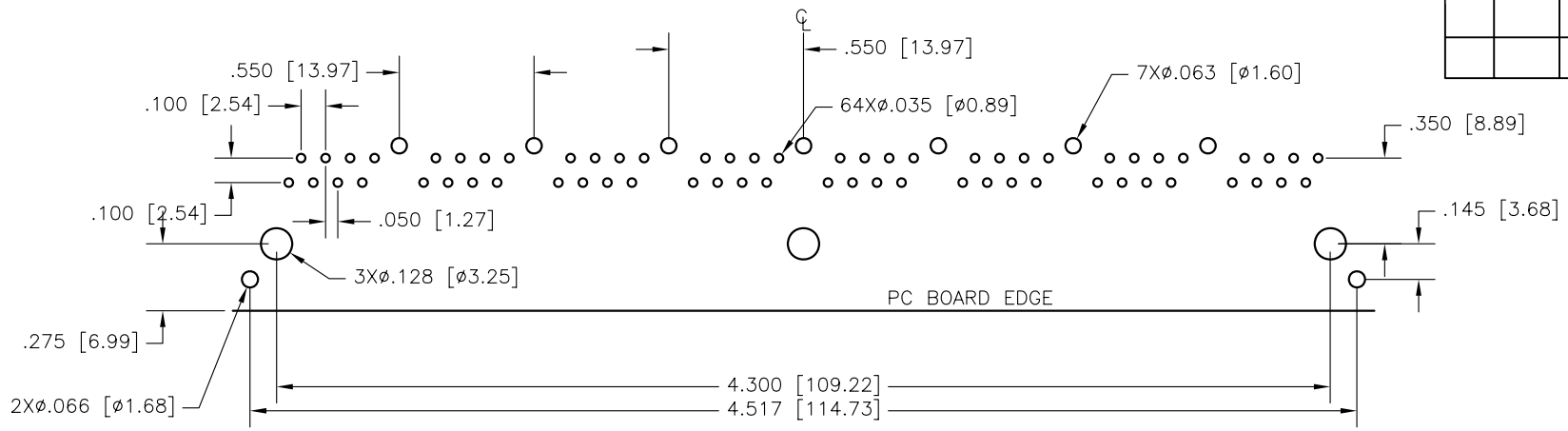
**MECHANICAL:**  
Durability: 1000 Mating Cycles

**OPERATING TEMPERATURE:**  
-20°C TO +85°C

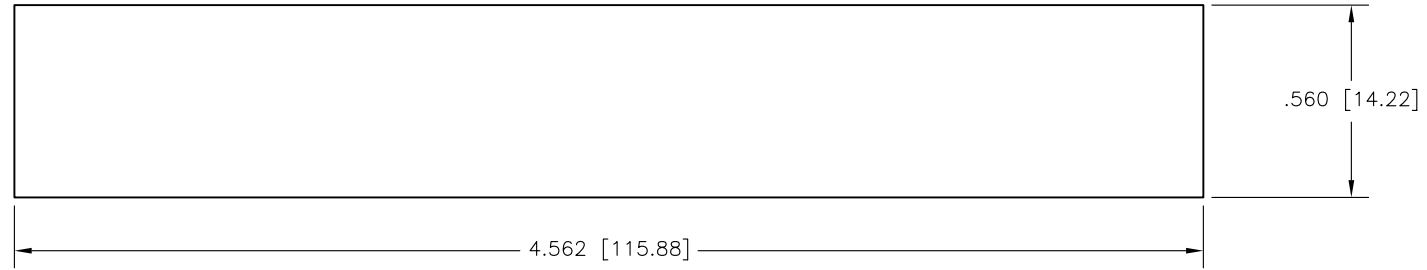
THIS IS A CONTROLLED DOCUMENT AND IS SUBJECT TO CHANGE. CONTACT NORTHERN TECHNOLOGIES ENGINEERING FOR THE LATEST REVISION.

UNLESS OTHERWISE SPECIFIED	SIGNATURES	DATE	Northern Technologies		
1. DIMENSIONS IN INCHES [MM] 2. TOLERANCE UNLESS OTHERWISE SPECIFIED .xxx ± .005 [0.127] .xx ± .02 [0.508] .x ± .03 [0.762] FRACT. ± 1/32 ANGULAR ± 1/2°	DRAWN	Luis C.	15-AUG-08	<small>THIS DRAWING IS THE PROPERTY OF NORTHERN TECHNOLOGIES AND SHOULD NOT BE REPRODUCED WITHOUT NORTHERN TECHNOLOGIES WRITTEN PERMISSION.</small>	
	CHECKED	JSD	15-AUG-08	PART NUMBER RE155ST0808	
	ENG			DESCRIPTION 8 PORT RJ45 JACK SHIELDED	
	ISSUED		17-MAR-09	SHEET 1	CODE 200_260
			SCALE	N.T.S.	SHEET 1 OF 2

REV	DATE	DESCRIPTION	APP



PCB LAYOUT



PANEL CUTOUT

THIS IS A CONTROLLED DOCUMENT AND IS SUBJECT TO CHANGE. CONTACT NORTHERN TECHNOLOGIES ENGINEERING FOR THE LATEST REVISION.

UNLESS OTHERWISE SPECIFIED  1. DIMENSIONS IN INCHES [MM] 2. TOLERANCE UNLESS OTHERWISE SPECIFIED .XXX ± .005 [0.127] .XX ± .02 [0.508] .X ± .03 [0.762] FRACT. ± 1/32 ANGULAR ± 1/2°	SIGNATURES		DATE	Northern Technologies <small>THIS DRAWING IS THE PROPERTY OF NORTHERN TECHNOLOGIES AND SHOULD NOT BE REPRODUCED WITHOUT NORTHERN TECHNOLOGIES WRITTEN PERMISSION.</small>		
	DRAWN	Luis C.	08-AUG-08			
	CHECKED	JSD	08-AUG-08	PART NUMBER RE155ST0808		
	ENG			DESCRIPTION 8 PORT RJ45 JACK SHIELDED		
	ISSUED		17-MAR-09	SHEET 2	CODE 200_260	DWG NO. 0002-200-260
				SCALE N.T.S.		SHEET 2 OF 2