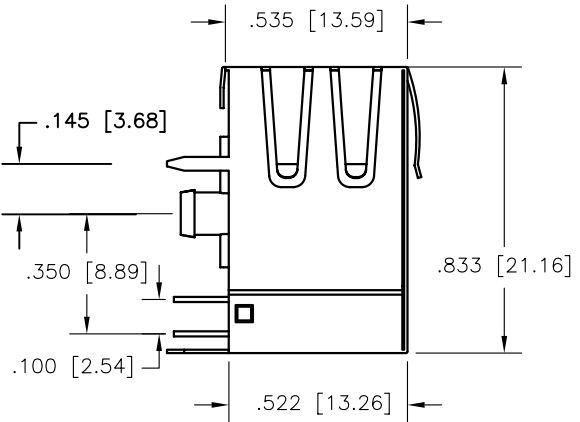
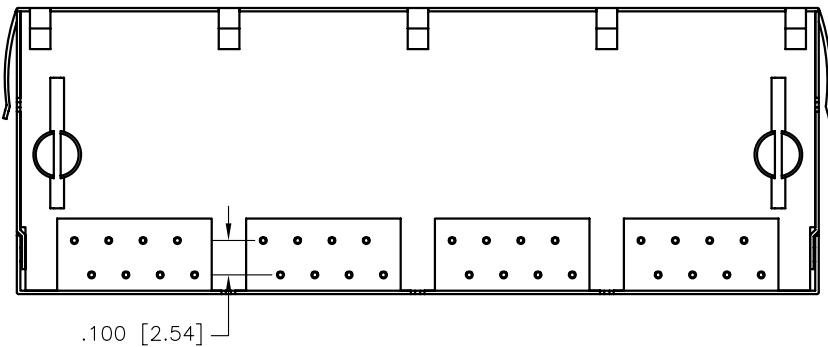
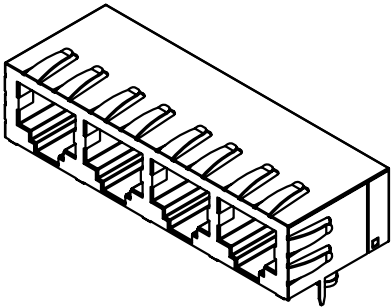
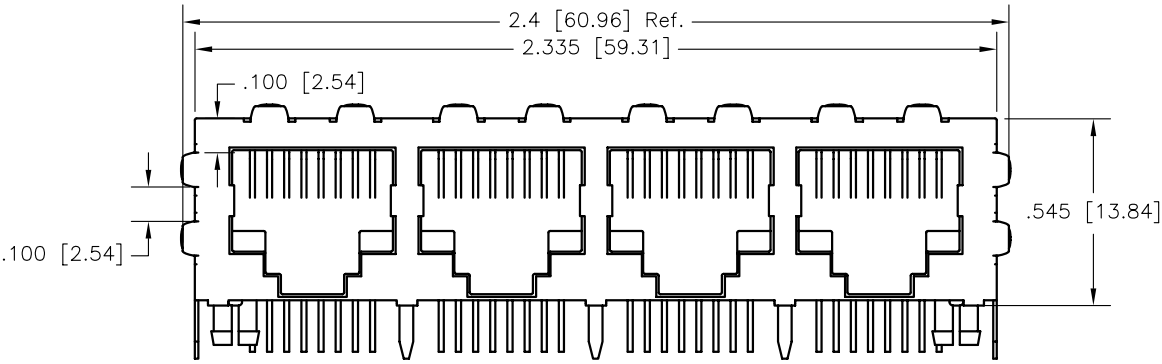


REV	DATE	DESCRIPTION	APP



MATERIAL:
Housing: PBT Glass Filled – UL94V-0
Shield: Tin Plated Copper Alloy
Contacts: Phosphor Bronze 50u” Gold Over Nickel

ELECTRICAL:
Insulation Resistance: 500 Megohms minimum
Dielectric Withstanding Voltage: 1000V RMS
Contact Resistance: 30 Milliohms max.

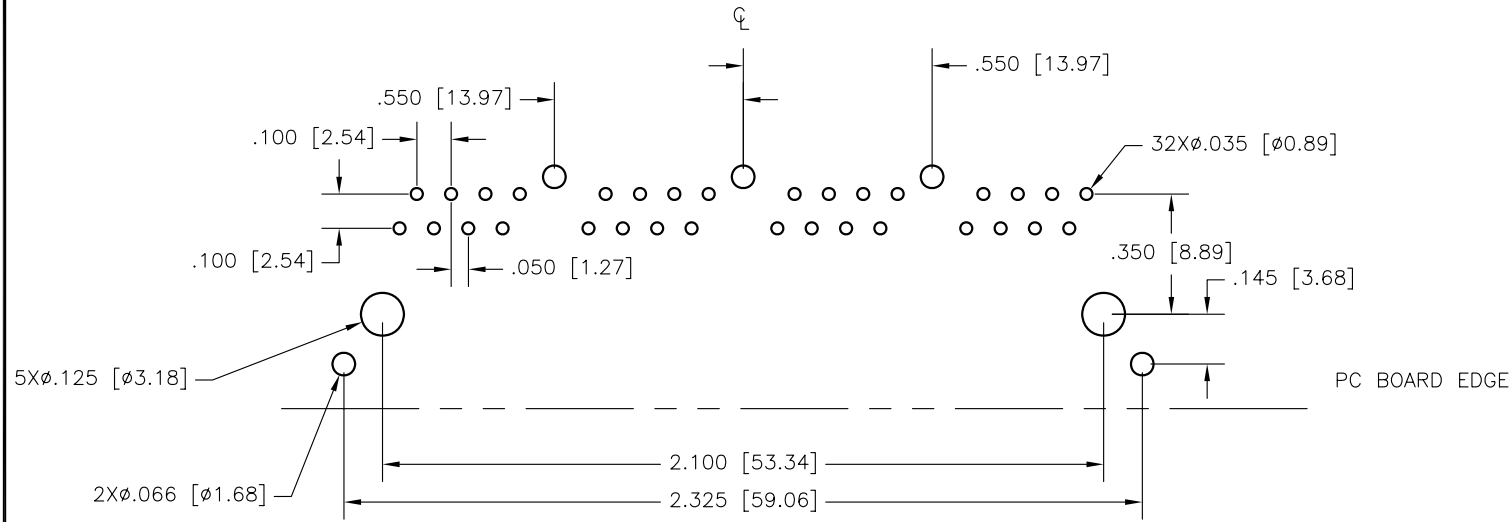
MECHANICAL:
Durability: 1000 Mating Cycles

OPERATING TEMPERATURE:
-20°C TO +85°C

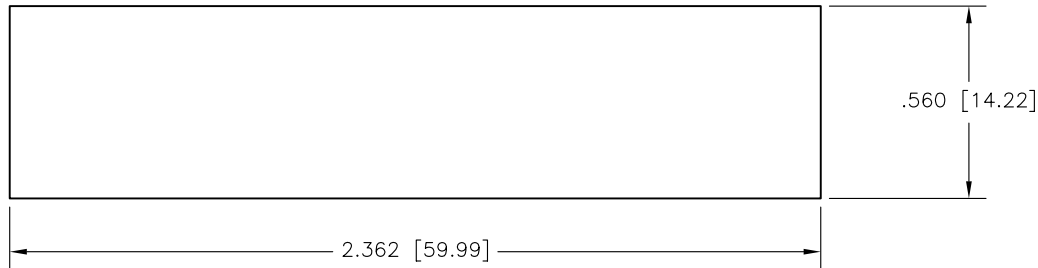
THIS IS A CONTROLLED DOCUMENT AND IS SUBJECT TO CHANGE. CONTACT NORTHERN TECHNOLOGIES ENGINEERING FOR THE LATEST REVISION.

UNLESS OTHERWISE SPECIFIED 1. DIMENSIONS IN INCHES [MM] 2. TOLERANCE UNLESS OTHERWISE SPECIFIED .XXX ± .005 [0.127] .XX ± .02 [0.508] .X ± .03 [0.762] FRACT. ± 1/32 ANGULAR ± 1/2°	SIGNATURES		DATE		Northern Technologies PART NUMBER RE155ST0804 DESCRIPTION 4 PORT RJ45 JACK SHIELDED		THIS DRAWING IS THE PROPERTY OF NORTHERN TECHNOLOGIES AND SHOULD NOT BE REPRODUCED WITHOUT NORTHERN TECHNOLOGIES WRITTEN PERMISSION.	
	DRAWN	Luis C.	01-AUG-08					
	CHECKED	JSD	01-AUG-08					
	ENG							
	ISSUED		17-MAR-09	SHEET 1	CODE 200_258	DWG NO. 0002-200-258		
SCALE			N.T.S.	SHEET 1 OF 2				

REV	DATE	DESCRIPTION	APP



PCB LAYOUT



PANEL CUTOUT

THIS IS A CONTROLLED DOCUMENT AND IS SUBJECT TO CHANGE. CONTACT NORTHERN TECHNOLOGIES ENGINEERING FOR THE LATEST REVISION.

UNLESS OTHERWISE SPECIFIED	SIGNATURES	DATE	Northern Technologies		
1. DIMENSIONS IN INCHES [MM] 2. TOLERANCE UNLESS OTHERWISE SPECIFIED .XXX ± .005 [0.127] .XX ± .02 [0.508] .X ± .03 [0.762] FRACT. ± 1/32 ANGULAR ± 1/2°	DRAWN Luis C.	01-AUG-08	THIS DRAWING IS THE PROPERTY OF NORTHERN TECHNOLOGIES AND SHOULD NOT BE REPRODUCED WITHOUT NORTHERN TECHNOLOGIES WRITTEN PERMISSION.		
	CHECKED JSD	01-AUG-08	PART NUMBER RE155ST0804		
	ENG		DESCRIPTION 4 PORT RJ45 JACK SHIELDED		
	ISSUED		17-MAR-09	SHEET 1	CODE 200_258
			SCALE N.T.S.		SHEET 2 OF 2