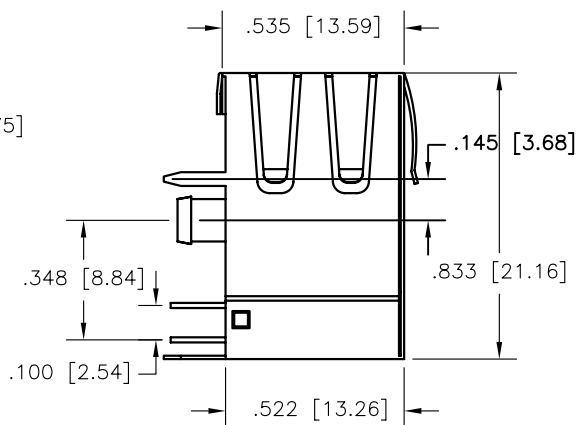
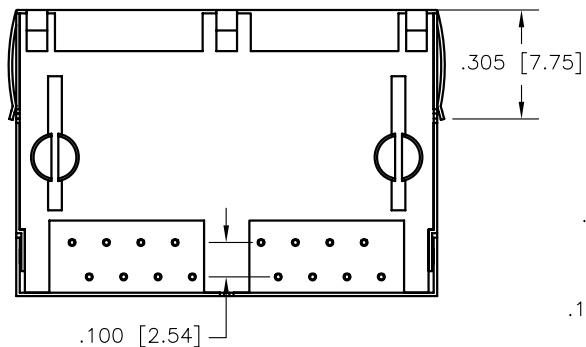


REV	DATE	DESCRIPTION	APP

PCB LAYOUT COMPONENT SIDE

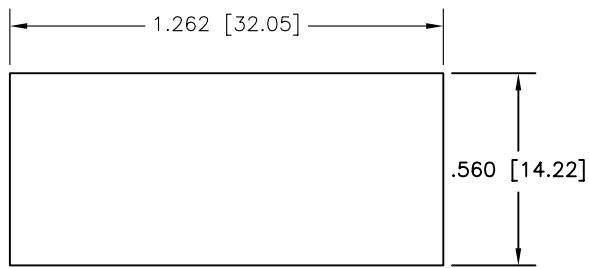


MATERIAL:
 Housing: PBT Glass Filled – UL94V-0
 Shield: Tin Plated Copper Alloy
 Contacts: Phosphor Bronze 50u” Gold Over Nickel

ELECTRICAL:
 Insulation Resistance: 500 Megohms minimum
 Dielectric Withstanding Voltage: 1000V RMS
 Contact Resistance: 30 Milliohms max.

MECHANICAL:
 Durability: 1000 Mating Cycles

OPERATING TEMPERATURE:
 -20°C TO +85°C



PANEL CUT OUT

THIS IS A CONTROLLED DOCUMENT AND IS SUBJECT TO CHANGE. CONTACT NORTHERN TECHNOLOGIES ENGINEERING FOR THE LATEST REVISION.

UNLESS OTHERWISE SPECIFIED	SIGNATURES	DATE	Northern Technologies		THIS DRAWING IS THE PROPERTY OF NORTHERN TECHNOLOGIES AND SHOULD NOT BE REPRODUCED WITHOUT NORTHERN TECHNOLOGIES WRITTEN PERMISSION.
1. DIMENSIONS IN INCHES [MM] 2. TOLERANCE UNLESS OTHERWISE SPECIFIED .XXX ± .005 [0.127] .XX ± .02 [0.508] .X ± .03 [0.762] FRACT. ± 1/32 ANGULAR ± 1/2°	DRAWN Luis C.	13-JUN-08	PART NUMBER RE155ST0802		
	CHECKED JSD	13-JUN-08	DESCRIPTION 2 PORT RJ45 JACK SHIELDED		
	ENG		SHEET 1	CODE 200_257	DWG NO. 0002-200-257
	ISSUED		17-MAR-09	SCALE N.T.S.	SHEET 1 OF 1