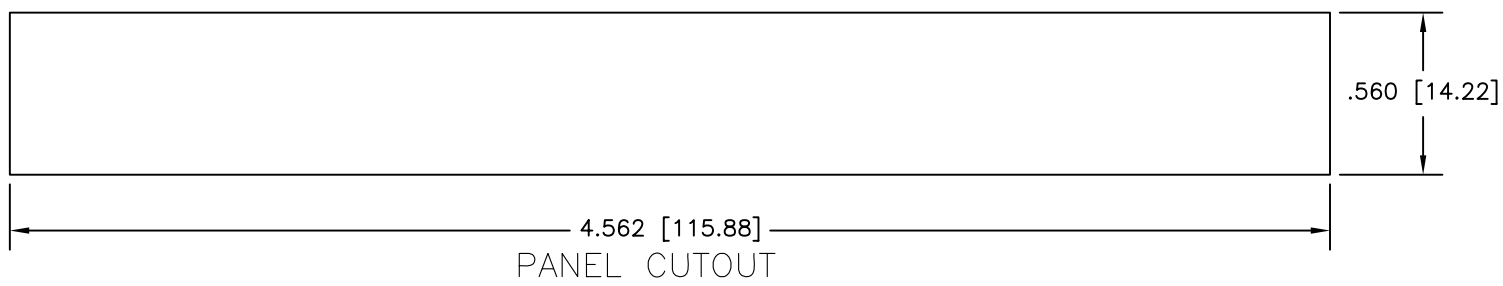
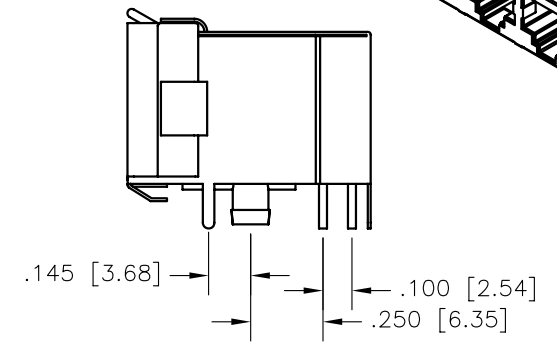
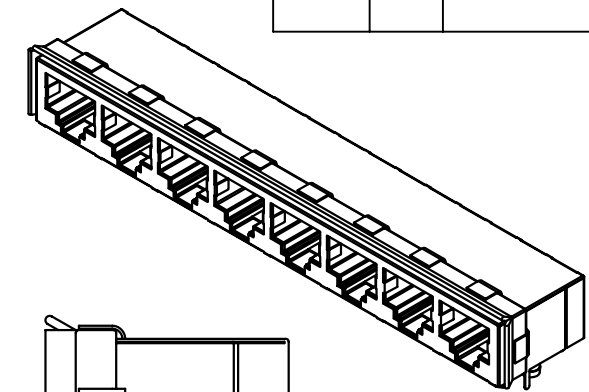


PCB LAYOUT



PANEL CUTOUT

REVISIONS				
ZONE	REV	DESCRIPTION	DATE	APPROVED



MATERIAL:
 Housing: PBT Glass Filled – UL94V-0
 Shield: Tin Plated Copper Alloy
 Contacts: Phosphor Bronze 50u" Gold Over Nickel

ELECTRICAL:
 Insulation Resistance: 500 Megohms minimum
 Dielectric Withstanding Voltage: 1000V RMS
 Contact Resistance: 30 Milliohms max.

MECHANICAL:
 Durability: 1000 Mating Cycles

OPERATING TEMPERATURE:
 -20°C TO +85°C

THIS IS A CONTROLLED DOCUMENT AND IS SUBJECT TO CHANGE. CONTACT NORTHERN TECHNOLOGIES ENGINEERING FOR THE LATEST REVISION.

UNLESS OTHERWISE SPECIFIED 1. ALL DIMENSIONS ARE IN INCHES [MM] 2. DIMENSIONS ARE TYPICAL		Northern Technologies THIS DRAWING IS THE PROPERTY OF NORTHERN TECHNOLOGIES AND SHOULD NOT BE REPRODUCED WITHOUT NORTHERN TECHNOLOGIES WRITTEN PERMISSION.		
DRAWN Luis C.		PART NUMBER RE155P30808		
13-MAR-09		DESCRIPTION 8 PORT RJ45 JACK SHIELDED W/GASKET		
CHECKED JSD	13-MAR-09	SIZE B	CODE 200_255	DWG NO. 0002-200-255
ISSUED	16-MAR-09	SCALE NTS		REV
				SHEET 1 OF 1