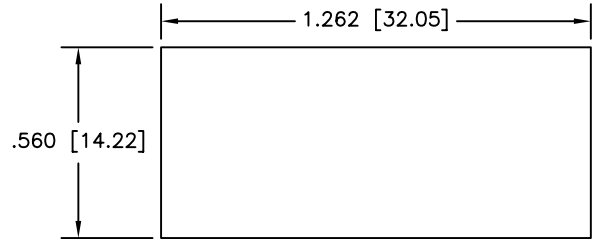
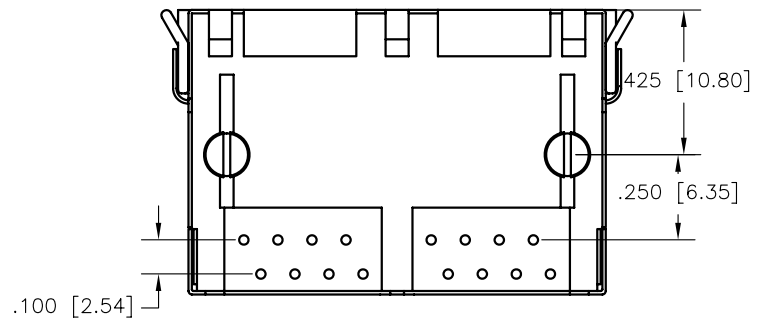
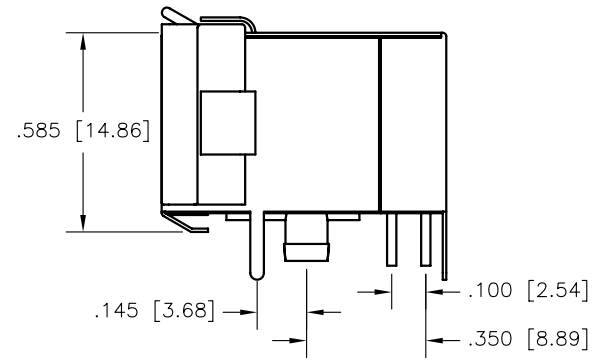
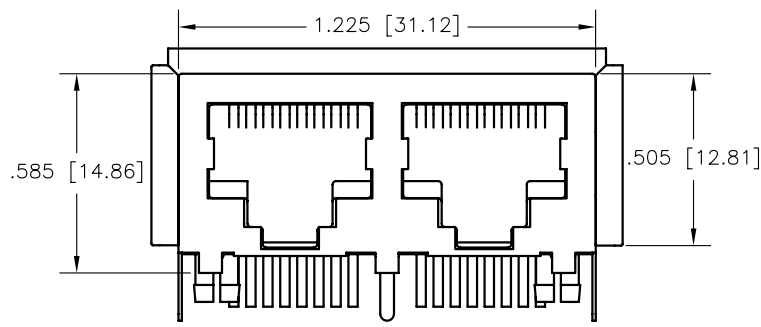
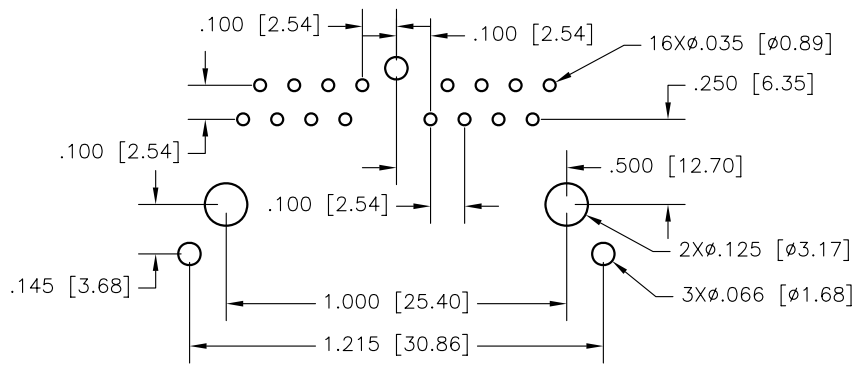


REV	DATE	DESCRIPTION	APP



PANEL CUT OUT



PCB LAYOUT

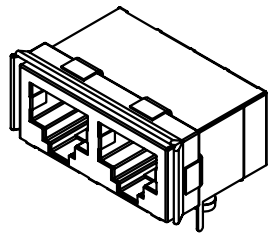
MATERIAL:
Housing: PBT Glass Filled – UL94V-0
Shield: Tin Plated Copper Alloy
Contacts: Phosphor Bronze 50u” Gold Over Nickel

ELECTRICAL:
Insulation Resistance: 500 Megohms minimum
Dielectric Withstanding Voltage: 1000V RMS
Contact Resistance: 30 Milliohms max.

MECHANICAL:
Durability: 1000 Mating Cycles

OPERATING TEMPERATURE:
-20°C TO +85°C

THIS IS A CONTROLLED DOCUMENT AND IS SUBJECT TO CHANGE. CONTACT NORTHERN TECHNOLOGIES ENGINEERING FOR THE LATEST REVISION.



UNLESS OTHERWISE SPECIFIED	SIGNATURES	DATE
1. DIMENSIONS IN INCHES [MM] 2. TOLERANCE UNLESS OTHERWISE SPECIFIED .xxx ± .005 [0.127] .xx ± .02 [0.508] .x ± .03 [0.762] FRACT. ± 1/32 ANGULAR ± 1/2°	DRAWN Luis C.	11-MAR-09
	CHECKED SCN	11-MAR-09
	ENG	
	ISSUED	16-MAR-09

Northern Technologies <small>THIS DRAWING IS THE PROPERTY OF NORTHERN TECHNOLOGIES AND SHOULD NOT BE REPRODUCED WITHOUT NORTHERN TECHNOLOGIES WRITTEN PERMISSION.</small>		PART NUMBER RE155P30802	
		DESCRIPTION 2 PORT RJ45 JACK SHIELDED W/GASKET	
SHEET 1	CODE 200_252	DWG NO. 0002-200-252	
SCALE N.T.S.			SHEET 1 OF 1