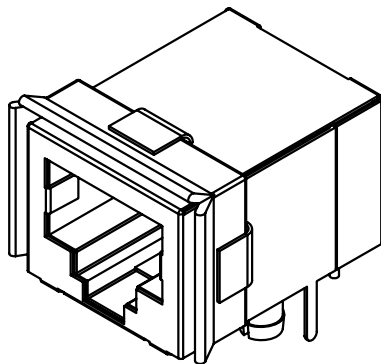
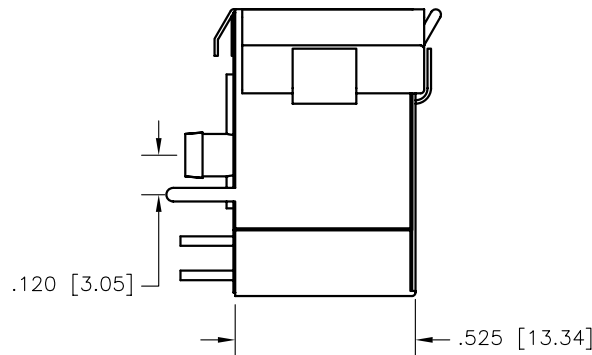
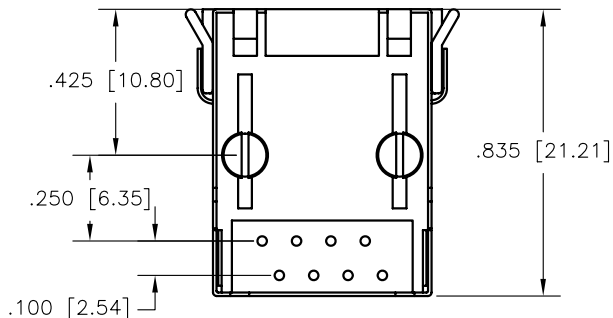
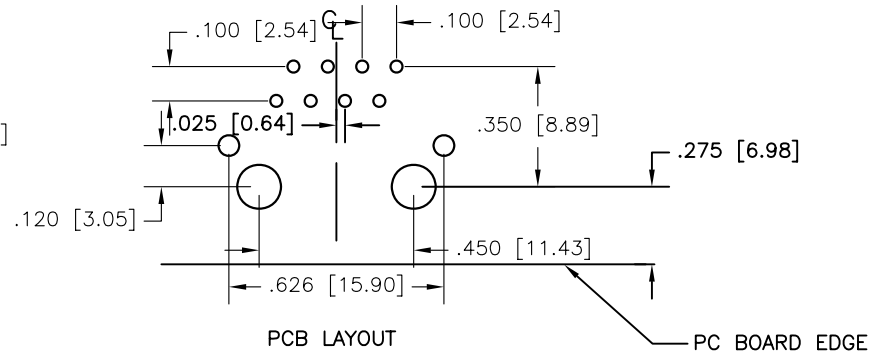
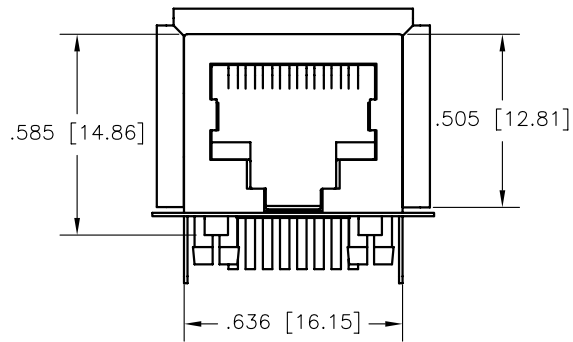


REV	DATE	DESCRIPTION	APP



MATERIAL:
Housing: PBT Glass Filled – UL94V-0
Shield: Tin Plated Copper Alloy
Contacts: Phosphor Bronze 50u” Gold Over Nickel

ELECTRICAL:
Insulation Resistance: 500 Megohms minimum
Dielectric Withstanding Voltage: 1000V RMS
Contact Resistance: 30 Milliohms max.

MECHANICAL:
Durability: 1000 Mating Cycles

OPERATING TEMPERATURE:
-20°C TO +85°C

THIS IS A CONTROLLED DOCUMENT AND IS SUBJECT TO CHANGE. CONTACT NORTHERN TECHNOLOGIES ENGINEERING FOR THE LATEST REVISION.

UNLESS OTHERWISE SPECIFIED	SIGNATURES	DATE	Northern Technologies		
1. DIMENSIONS IN INCHES [MM] 2. TOLERANCE UNLESS OTHERWISE SPECIFIED .XXX ± .005 [0.127] .XX ± .02 [0.508] .X ± .03 [0.762] FRACT. ± 1/32" ANGULAR ± 1/2°	DRAWN Luis C.	16-MAR-09	PART NUMBER RE155P30801 DESCRIPTION 1 PORT RJ45 JACK SHIELDED W/GASKET		
	CHECKED JSD	16-MAR-09			
	ISSUED	16-MAR-09	SHEET 1	CODE 200_251	DWG NO. 0002-200-251
	SCALE N.T.S.			SHEET 1 OF 1	

THIS DRAWING IS THE PROPERTY OF NORTHERN TECHNOLOGIES AND SHOULD NOT BE REPRODUCED WITHOUT NORTHERN TECHNOLOGIES WRITTEN PERMISSION.