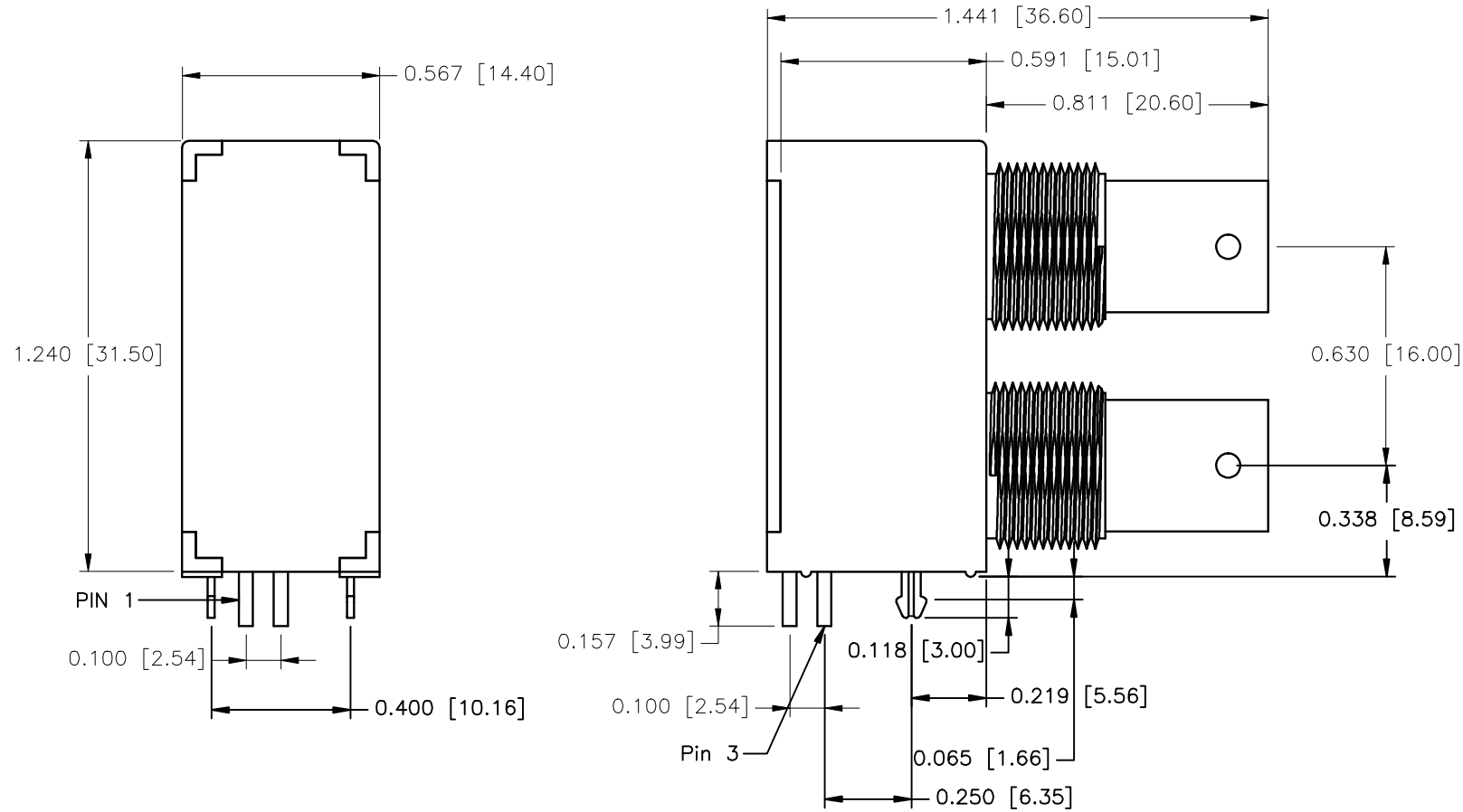
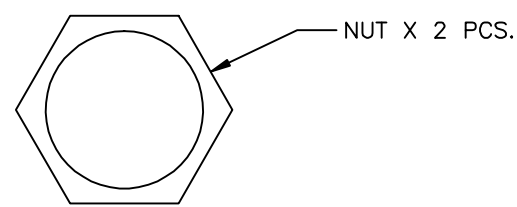
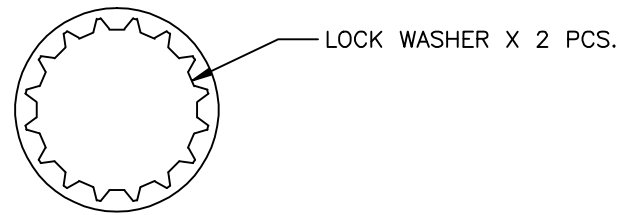


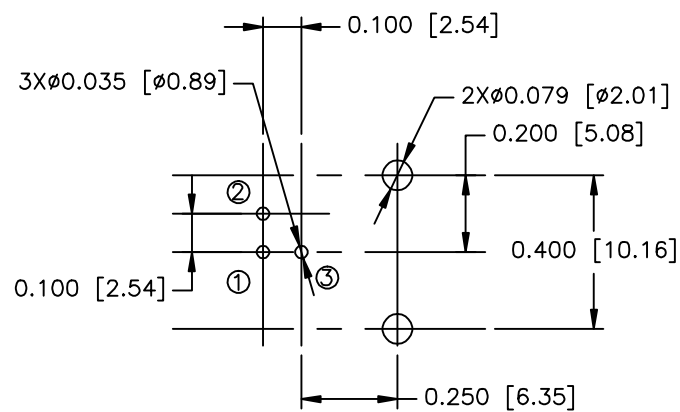
REVISIONS

ZONE	REV	DESCRIPTION	DATE	APPROVED
	A	ECN 0634	08-AUG-07	
	B	ECN 0658	19-AUG-08	
	C	ECN 0740	07-MAY-14	

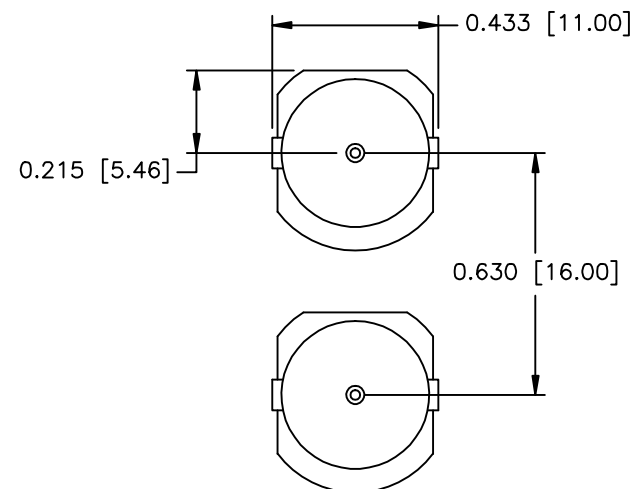


Part Number Information

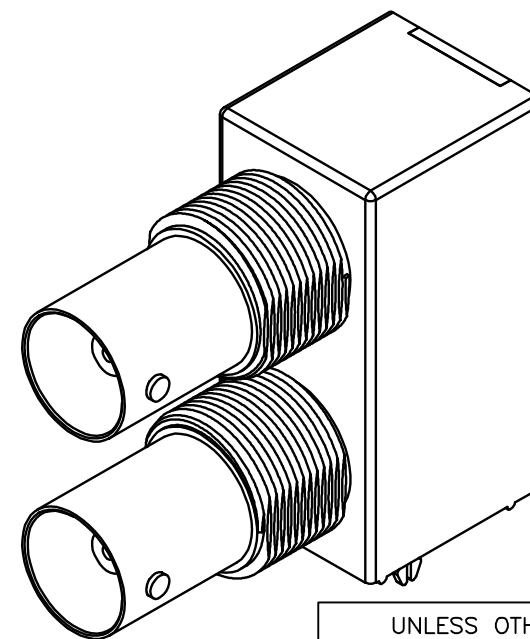
Part Number	Housing	Impedance	Options
RBNCRHDE5S0000ZZ	Shielded	50 ohms	2 lockwashers & 2 nuts included
RBNCRHDE7S0000ZZ	Shielded	75 ohms	2 lockwashers & 2 nuts included
RBNCRHDE5S0000Z0	Shielded	50 ohms	lockwashers & nuts not included
RBNCRHDE7S0000Z0	Shielded	75 ohms	lockwashers & nuts not included



PCB LAYOUT TOP VIEW



PANEL CUTOUT



Electrical Characteristics

1. Impedance: See Part Number Information
2. Contact Resistance: 15 Milliohms Maximum
3. Insulation Resistance: 5000 Megohms Minimum
4. Dielectric Withstanding Voltage: 1000 VAC (1 minute)
5. Frequency Range: 0 ~ 1 GHz.

Environmental Characteristics

1. Operating Temperature Range: -55°C to +85°C

Material Specifications

1. Insulator: Polypropylene - UL94HB
2. Contacts: Copper Alloy
3. Contact Plating: 6 $\mu$ i Au over Ni in Contact Area
4. Mounting Posts: Tin Plating over Copper Alloy

THIS IS A CONTROLLED DOCUMENT AND IS SUBJECT TO CHANGE. CONTACT NORTHERN TECHNOLOGIES ENGINEERING FOR THE LATEST REVISION.

UNLESS OTHERWISE SPECIFIED		<b>Northern Technologies</b>			THIS DRAWING IS THE PROPERTY OF NORTHERN TECHNOLOGIES AND SHOULD NOT BE REPRODUCED WITHOUT NORTHERN TECHNOLOGIES WRITTEN PERMISSION.	
1. ALL DIMENSIONS ARE IN INCHES (MM)		PART NUMBER SEE PART NUMBER INFORMATION			DESCRIPTION BNC R/A DUAL PORT SHIELDED PCB MOUNT	
2. DIMENSIONS ARE TYPICAL		SIZE	CODE	DWG NO.	REV	
DRAWN	28-NOV-06	B	200_236	0002-200-236		
CHECKED	04-DEC-06	SCALE NTS		SHEET 1 OF 1		
ISSUED	20-DEC-06					