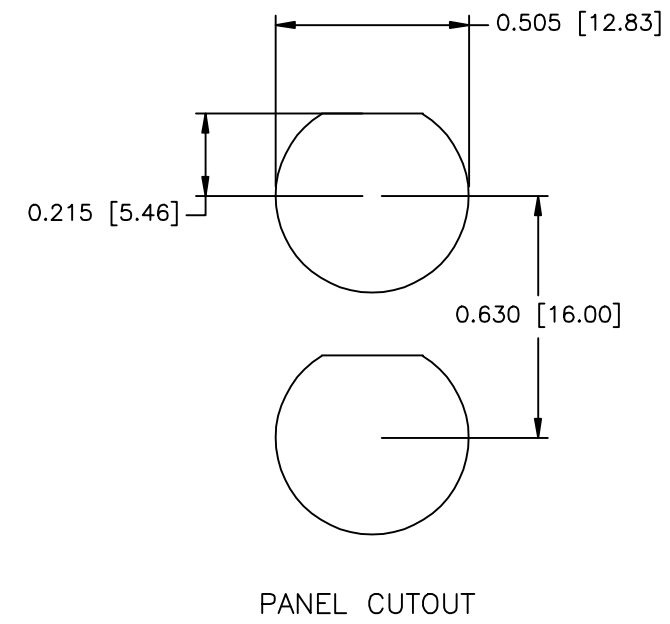
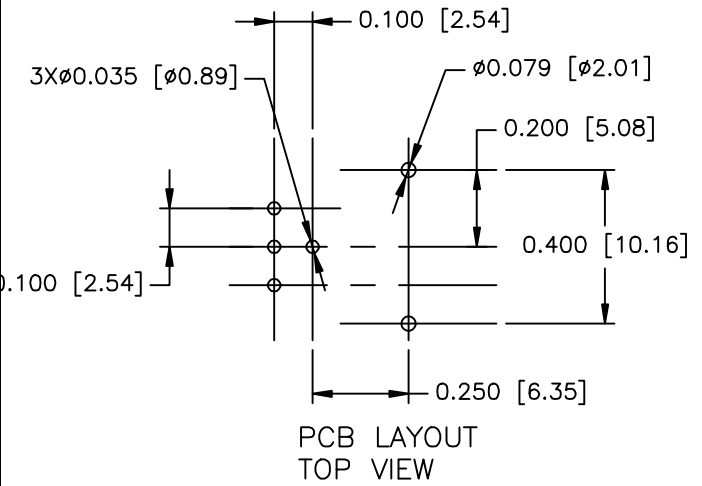


| REVISIONS | | | | |
|-----------|-----|-------------|-----------|----------|
| ZONE | REV | DESCRIPTION | DATE | APPROVED |
| | A | ECN 0645 | 07-APR-08 | |
| | B | ECN 0646 | 08-APR-08 | |
| | C | ECN 0658 | 19-AUG-08 | |



Part Number Information

| Part Number | Housing | Impedance |
|------------------|---------|-----------|
| RBNCRHDE5W0000ZZ | White | 50 ohms |
| RBNCRHDE7W0000ZZ | White | 75 ohms |

Electrical Characteristics

1. Impedance: See Part Number Information
2. Contact Resistance: 15 Milliohms Maximum
3. Insulation Resistance: 5000 Megohms Minimum
4. Dielectric Withstanding Voltage: 1000 VAC (1 minute)
5. Frequency Range: 0 ~ 1 GHz.

Environmental Characteristics

1. Operating Temperature Range: -55°C to +85°C

Material Specifications

1. Insulator: Polypropylene - UL94HB
2. Contacts: Copper Alloy
3. Contact Plating: 6µi Au over Ni in Contact Area
4. Mounting Posts: Tin Plating over Copper Alloy

THIS IS A CONTROLLED DOCUMENT AND IS SUBJECT TO CHANGE. CONTACT NORTHERN TECHNOLOGIES ENGINEERING FOR THE LATEST REVISION.

| | | | | |
|---|-----------|---|-----------------|-------------------------|
| UNLESS OTHERWISE SPECIFIED 1. ALL DIMENSIONS ARE IN INCHES (MM) 2. DIMENSIONS ARE TYPICAL | | Northern Technologies <small>THIS DRAWING IS THE PROPERTY OF NORTHERN TECHNOLOGIES AND SHOULD NOT BE REPRODUCED WITHOUT NORTHERN TECHNOLOGIES WRITTEN PERMISSION.</small> | | |
| DRAWN Luis C. | | PART NUMBER SEE PART NUMBER INFORMATION | | |
| 29-NOV-06 | | DESCRIPTION BNC R/A DUAL PORT PCB MOUNT | | |
| CHECKED JSD | 01-DEC-06 | SIZE B | CODE 200_235 | DWG NO. 0002-200-235 |
| ISSUED | 20-DEC-06 | SCALE NTS | | REV |
| | | | | SHEET 1 OF 1 |