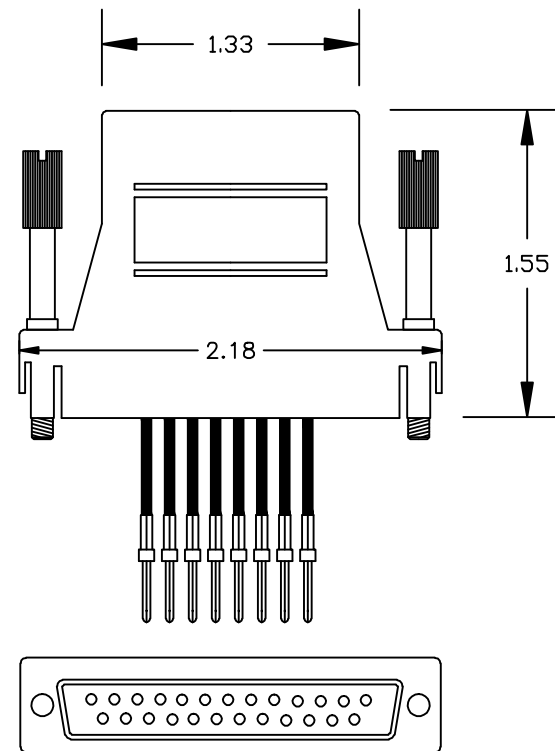


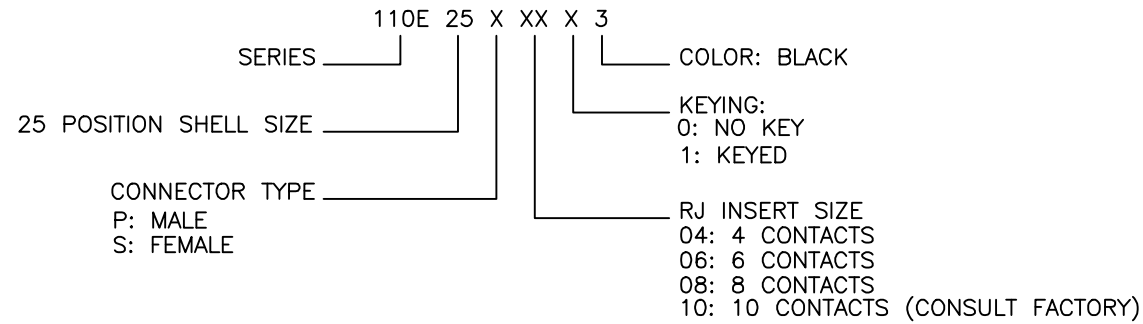
REVISIONS				
ZONE	REV	DESCRIPTION	DATE	APPROVED
	A	ECN 0788	10-JUN-16	

25C 8 WIRE MALE
ADAPTER SHOWN HERE

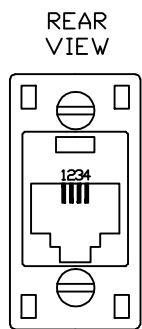


KIT INCLUDES:

- 1 - ONE PIECE PLASTIC COVER WITH RJ MODULAR ASSEMBLY (MALE OR FEMALE, NUMBER, CONTACTS DETERMINED BY PART NUMBER)
- 2 - #4-40 UNC THUMBSCREWS INSTALLED IN COVER.
- 1 - MALE OR FEMALE CRIMP STYLE D-SUBMINIATURE CONNECTOR (MALE OR FEMALE CONNECTOR DETERMINED BY PART NUMBER)
- 1 - RJ STYLE INSERT INSTALLED IN COVER. NUMBER OF WIRES DETERMINED BY PART NUMBER.

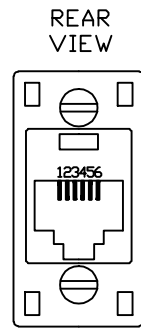


4 CONTACTS



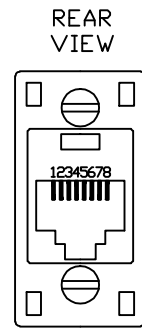
- PIN I.D.**
- 1 - BLACK
 - 2 - RED
 - 3 - GREEN
 - 4 - YELLOW

6 CONTACTS



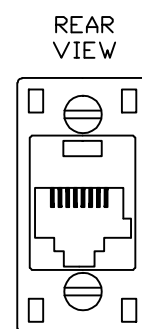
- PIN I.D.**
- 1 - WHITE
 - 2 - BLACK
 - 3 - RED
 - 4 - GREEN
 - 5 - YELLOW
 - 6 - BLUE

8 CONTACTS



- PIN I.D.**
- 1 - BLUE
 - 2 - ORANGE
 - 3 - BLACK
 - 4 - RED
 - 5 - GREEN
 - 6 - YELLOW
 - 7 - BROWN
 - 8 - WHITE

KEYED VERSION



THIS IS A CONTROLLED DOCUMENT AND IS SUBJECT TO CHANGE. CONTACT NORTHERN TECHNOLOGIES ENGINEERING FOR THE LATEST REVISION.

NOTES:

1. COVER: ABS THERMOPLASTIC
2. RJ INSERT: ABS THERMOPLASTIC
3. D-SUB INSULATOR: PBT THERMOPLASTIC
4. D-SUB CONTACTS: COPPER ALLOY 6µi HARD GOLD PLATING
5. RJ CONTACTS: COPPER ALLOY 6µi HARD GOLD PLATING
6. THUMBSCREWS: STEEL W/ Ni PLATE

UNLESS OTHERWISE SPECIFIED		Northern Technologies <small>THIS DRAWING IS THE PROPERTY OF NORTHERN TECHNOLOGIES AND SHOULD NOT BE REPRODUCED WITHOUT NORTHERN TECHNOLOGIES WRITTEN PERMISSION.</small>		
1. ALL DIMENSIONS ARE IN INCHES (MM) 2. DIMENSIONS ARE TYPICAL				
DRAWN JSD 12-DEC-14		PART NUMBER SEE ORDER INFORMATION		
CHECKED SCN 12-DEC-14		DESCRIPTION 110E SERIES 25C MODULAR ADAPTOR		
ISSUED		SIZE B	CODE 200_231	DWG NO. 0002-200-231
		SCALE		REV
		SHEET 1 OF 1		