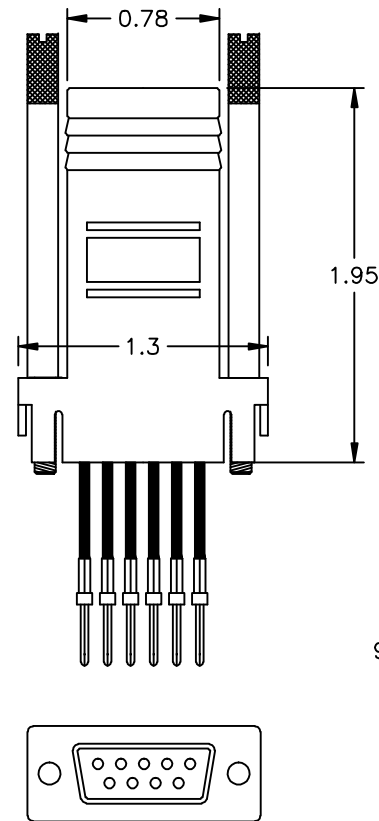


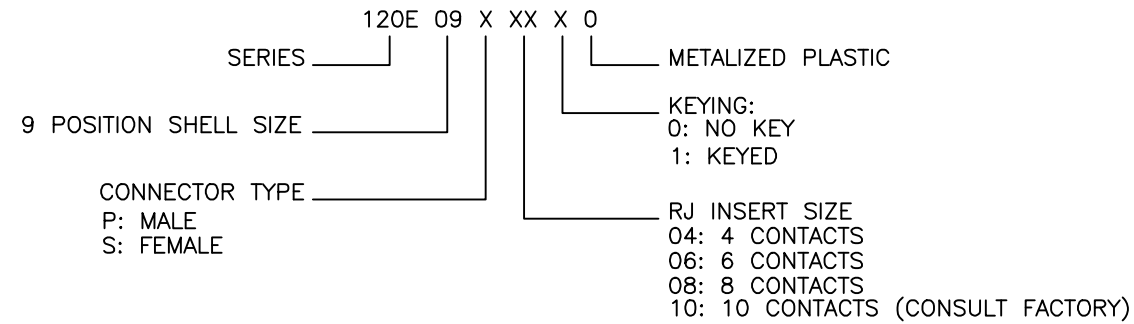
REVISIONS				
ZONE	REV	DESCRIPTION	DATE	APPROVED
	A	ECN 0760	01-DEC-14	
	B	ECN 0788	10-JUN-16	

9C 6 WIRE MALE  
ADAPTER SHOWN HERE



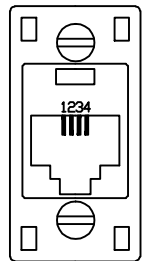
**KIT INCLUDES:**

- 1 - ONE PIECE METALIZED PLASTIC COVER WITH RJ MODULAR ASSEMBLY (MALE OR FEMALE, NUMBER, CONTACTS DETERMINED BY PART NUMBER)
- 2 - #4-40 UNC THUMBSCREWS INSTALLED IN COVER.
- 1 - MALE OR FEMALE CRIMP STYLE D-SUBMINIATURE CONNECTOR (MALE OR FEMALE CONNECTOR DETERMINED BY PART NUMBER)
- 1 - RJ STYLE INSERT INSTALLED IN COVER. NUMBER OF WIRES DETERMINED BY PART NUMBER.)



**4 CONTACTS**

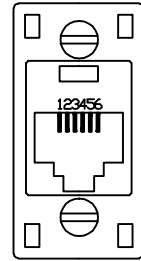
REAR VIEW



- PIN I.D.  
 1 - BLACK  
 2 - RED  
 3 - GREEN  
 4 - YELLOW

**6 CONTACTS**

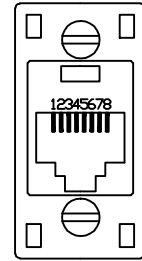
REAR VIEW



- PIN I.D.  
 1 - WHITE  
 2 - BLACK  
 3 - RED  
 4 - GREEN  
 5 - YELLOW  
 6 - BLUE

**8 CONTACTS**

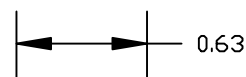
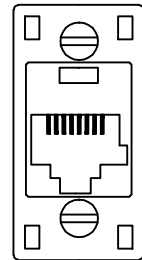
REAR VIEW



- PIN I.D.  
 1 - BLUE  
 2 - ORANGE  
 3 - BLACK  
 4 - RED  
 5 - GREEN  
 6 - YELLOW  
 7 - BROWN  
 8 - GRAY

**KEYED VERSION**

REAR VIEW



THIS IS A CONTROLLED DOCUMENT AND IS SUBJECT TO CHANGE. CONTACT NORTHERN TECHNOLOGIES ENGINEERING FOR THE LATEST REVISION.

**NOTES:**

1. COVER: ABS THERMOPLASTIC - NICKEL PLATED
2. RJ INSERT: ABS THERMOPLASTIC
3. D-SUB INSULATOR: PBT THERMOPLASTIC
4. D-SUB CONTACTS: COPPER ALLOY 6µi HARD GOLD PLATING
5. RJ CONTACTS: COPPER ALLOY 6µi HARD GOLD PLATING
6. THUMBSCREWS: LOW CARBON STEEL W/ Ni PLATE

UNLESS OTHERWISE SPECIFIED 1. ALL DIMENSIONS ARE IN INCHES (MM) 2. DIMENSIONS ARE TYPICAL		<b>Northern Technologies</b> <small>THIS DRAWING IS THE PROPERTY OF NORTHERN TECHNOLOGIES AND SHOULD NOT BE REPRODUCED WITHOUT NORTHERN TECHNOLOGIES WRITTEN PERMISSION.</small>		
DRAWN JSD 16-MAY-06		PART NUMBER SEE ORDER INFORMATION		
CHECKED SCN 16-MAY-06		DESCRIPTION 120E SERIES 9C MODULAR ADAPTOR		
ISSUED		SIZE B	CODE 200_224	DWG NO. 0002-200-224
		SCALE		REV
				SHEET 1 OF 1