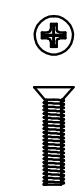
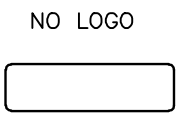
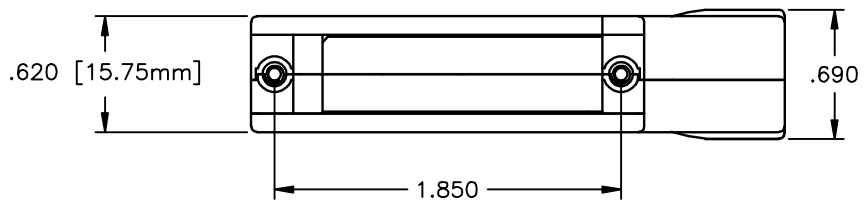
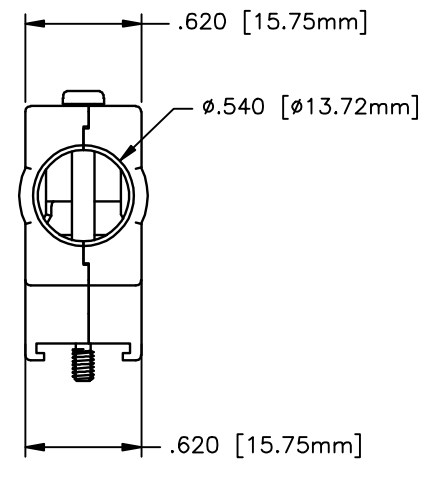
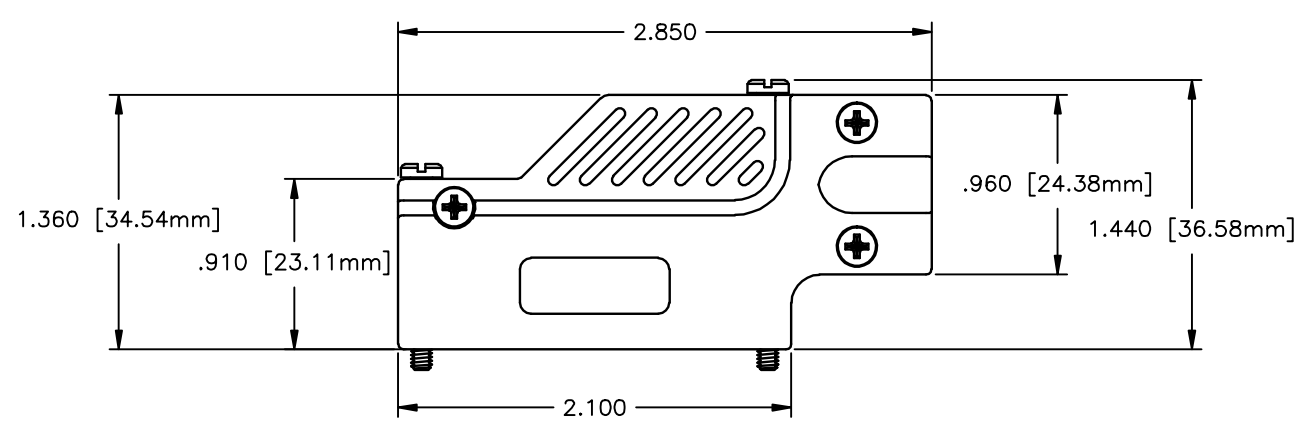
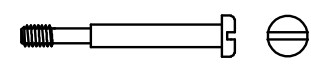


REV	DATE	DESCRIPTION	APP
A	30-MAY-13	ECN 0722	
B	10-JUN-14	ECN 0746	

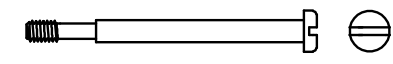


#4-40 X 0.5" PHILLIPS HEAD MACHINE SCREW
- STAINLESS STEEL

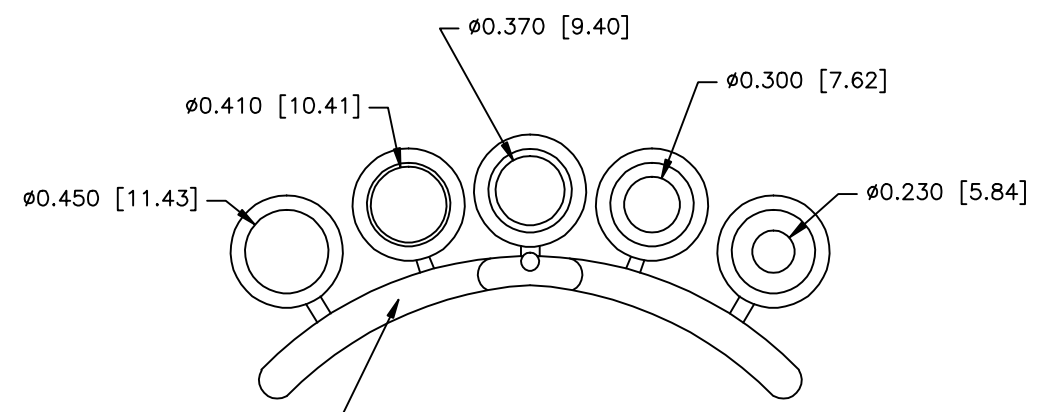
QTY.: 3 EACH



1.10" SLOTTED MATING SCREW
- STEEL, NICKEL PLATED
QTY.: 1 EACH (SEE PAGE 2 FOR THREAD TYPE)



1.55" SLOTTED MATING SCREW
- STEEL, NICKEL PLATED
QTY.: 1 EACH (SEE PAGE 2 FOR THREAD TYPE)



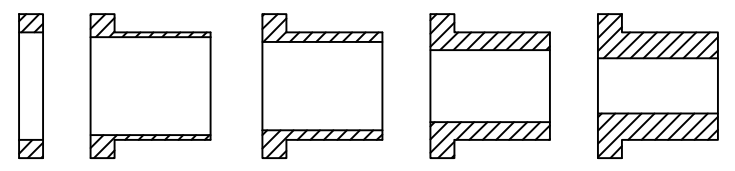
COMPRESSION INSERT TREE
QTY. 1

CONNECTOR COVER:

- 1.MATERIAL: ZINC ALLOY
- 2.FINISH: NICKEL PLATING PER NTC SPECIFICATION N/T 000400
- 3.DIMENSIONS: INCHES [MM]
- 4.TOLERANCE: ±0.015 [0.381]

COMPRESSION INSERT TREE

- 1.MATERIAL: THERMOPLASTIC
- 2.COLOR: BLACK
- 3.DUROMETER: 75 ±5 TYPE A PER ASTM D2240
- 4.DIMENSIONS: INCHES [MM]
- 5.TOLERANCE: ±0.020 [0.508]



THIS IS A CONTROLLED DOCUMENT AND IS SUBJECT TO CHANGE. CONTACT NORTHERN TECHNOLOGIES ENGINEERING FOR THE LATEST REVISION.

UNLESS OTHERWISE SPECIFIED	SIGNATURES	DATE	Northern Technologies		
1. ALL DIMENSIONS ARE IN INCHES (MM) 2. DIMENSIONS ARE TYPICAL	DRAWN JSD	02-JAN-06	THIS DRAWING IS THE PROPERTY OF NORTHERN TECHNOLOGIES AND SHOULD NOT BE REPRODUCED WITHOUT NORTHERN TECHNOLOGIES WRITTEN PERMISSION.		
	CHECKED SCN	02-JAN-06	PART NUMBER SEE PART NUMBER INFORMATION (PAGE 2)		
	ISSUED	02-JAN-06	DESCRIPTION CM 25 90 DEGREE ULTRA LOW PROFILE		
				SHEET 1	CODE 200_207
			SCALE N.T.S.		SHEET 1 OF 2

PART NUMBER INFORMATION

PART#	WITH #4-40 THREAD MATING SCREWS	SUPPLIED
NA30E920000	NO LOGO TOP COVER	BULK
NA30E920100	BOTTOM COVER	BULK
N30E920000	NO LOGO	PACKAGED

PART#	WITH M2.5 THREAD MATING SCREWS	SUPPLIED
NA30E920000M25	NO LOGO TOP COVER	BULK
NA30E920100M25	BOTTOM COVER	BULK
N30E920000M25	NO LOGO	PACKAGED

PART#	WITH M2.6 THREAD MATING SCREWS	SUPPLIED
NA30E920000M26	NO LOGO TOP COVER	BULK
NA30E920100M26	BOTTOM COVER	BULK
N30E920000M26	NO LOGO	PACKAGED

PART#	WITH M3 THREAD MATING SCREWS	SUPPLIED
NA30E920000M3	NO LOGO TOP COVER	BULK
NA30E920100M3	BOTTOM COVER	BULK
N30E920000M3	NO LOGO	PACKAGED

THIS IS A CONTROLLED DOCUMENT AND IS SUBJECT TO CHANGE. CONTACT NORTHERN TECHNOLOGIES ENGINEERING FOR THE LATEST REVISION.

UNLESS OTHERWISE SPECIFIED	SIGNATURES	DATE	Northern Technologies		
1. ALL DIMENSIONS ARE IN INCHES (MM) 2. DIMENSIONS ARE TYPICAL	DRAWN JSD	02-JAN-06	THIS DRAWING IS THE PROPERTY OF NORTHERN TECHNOLOGIES AND SHOULD NOT BE REPRODUCED WITHOUT NORTHERN TECHNOLOGIES WRITTEN PERMISSION.		
	CHECKED SCN	02-JAN-06	PART NUMBER SEE PART NUMBER INFORMATION		
	ISSUED	02-JAN-06	DESCRIPTION CM 25 90 DEGREE ULTRA LOW PROFILE		
			SHEET 1	CODE 200_207	DWG NO. 0002-200-207
			SCALE N.T.S.		SHEET 2 OF 2