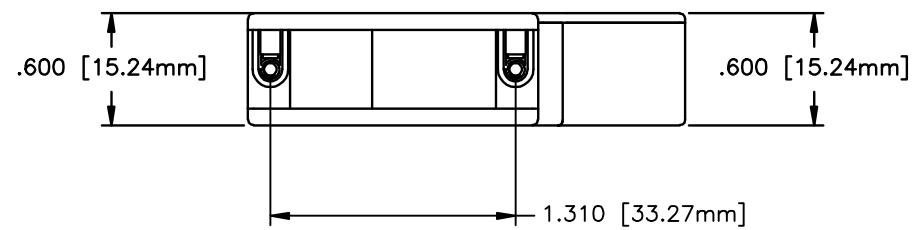
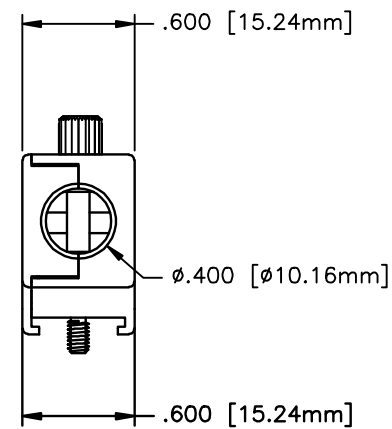
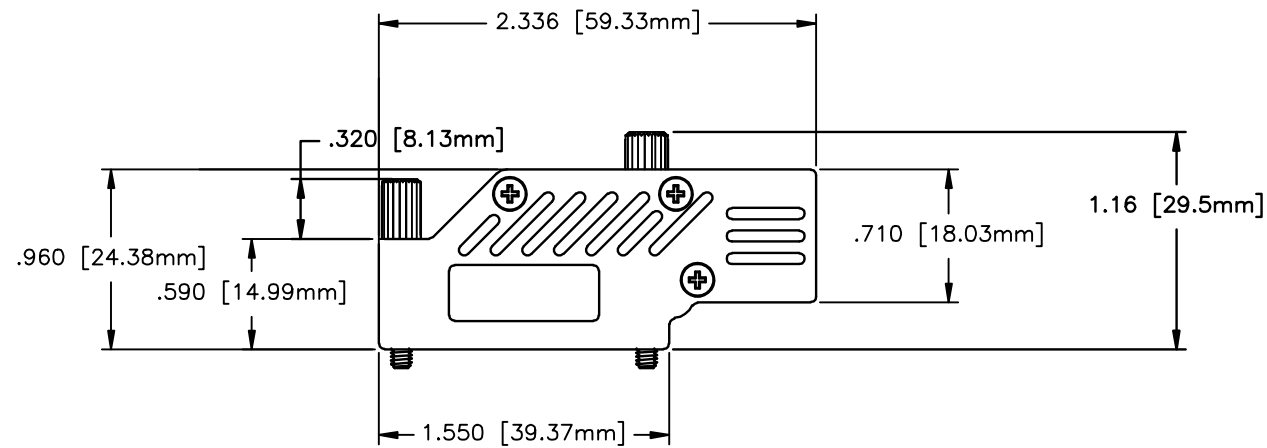

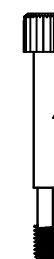


REV	DATE	DESCRIPTION	APP



 #2-56 PHILLIPS HEAD MACHINE SCREW
- STAINLESS STEEL
QTY: 3

 #4-40 X 1.02" THUMBSCREW - WITH SLOT
- STEEL, NICKEL PLATED
QTY: 1

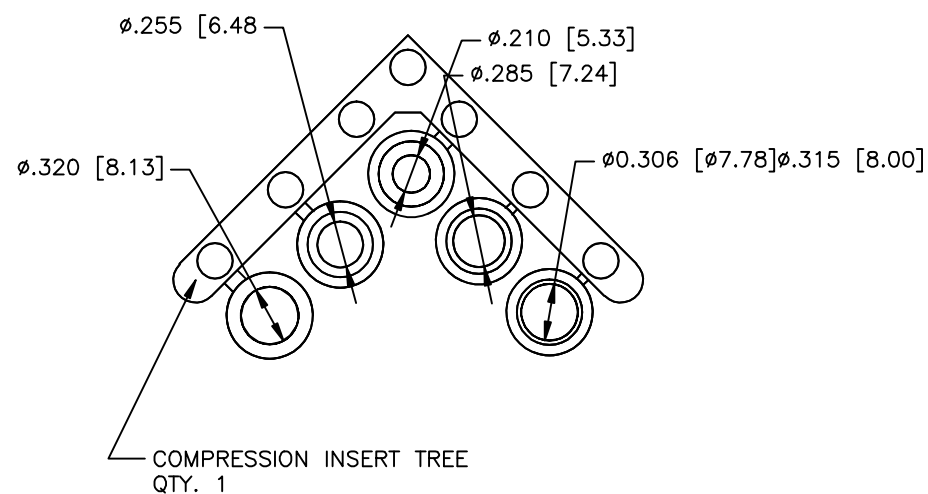
 #4-40 X 1.27" THUMBSCREW - WITH SLOT
- STEEL, NICKEL PLATED
QTY: 1

NO LOGO



PART NUMBER INFORMATION

PART#	LOGO STYLE	SUPPLIED
NA30E910000T1	NO LOGO TOP COVER	BULK
NA30E910100	BOTTOM COVER	BULK
N30E910000T1	NO LOGO	PACKAGED

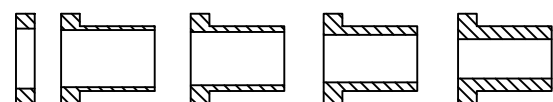


CONNECTOR COVER:

- 1.MATERIAL: ZINC ALLOY
- 2.FINISH: NICKEL PLATING PER NTC SPECIFICATION N/T 000400
- 3.DIMENSIONS: INCHES [MM]
- 4.TOLERANCE: ± 0.015 [0.381]

COMPRESSION INSERT TREE

- 1.MATERIAL: THERMOPLASTIC
- 2.COLOR: BLACK
- 3.DUROMETER: 75 ± 5 TYPE A PER ASTM D2240
- 4.DIMENSIONS: INCHES [MM]
- 5.TOLERANCE: ± 0.020 [0.508]



THIS IS A CONTROLLED DOCUMENT AND IS SUBJECT TO CHANGE. CONTACT NORTHERN TECHNOLOGIES ENGINEERING FOR THE LATEST REVISION.

UNLESS OTHERWISE SPECIFIED	SIGNATURES	DATE	Northern Technologies	
1. ALL DIMENSIONS ARE IN INCHES (MM) 2. DIMENSIONS ARE TYPICAL	DRAWN JSD	26-JAN-09	PART NUMBER SEE PART NUMBER INFORMATION DESCRIPTION CM 15 90 DEGREE ULTRA LOW PROFILE WITH DUAL THUMBSCREW	
	CHECKED SCN	26-JAN-09		
	ISSUED	26-JAN-09	SHEET 1	CODE 200_206T1
			DWG NO. 0002-200-206T1	
	SCALE N.T.S.		SHEET 1 OF 1	

THIS DRAWING IS THE PROPERTY OF NORTHERN TECHNOLOGIES AND SHOULD NOT BE REPRODUCED WITHOUT NORTHERN TECHNOLOGIES WRITTEN PERMISSION.