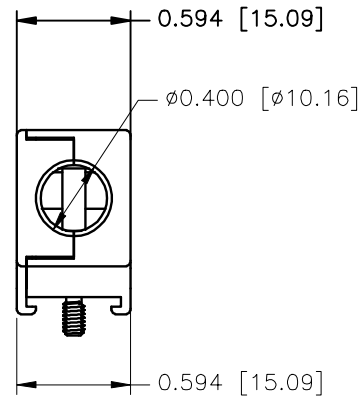
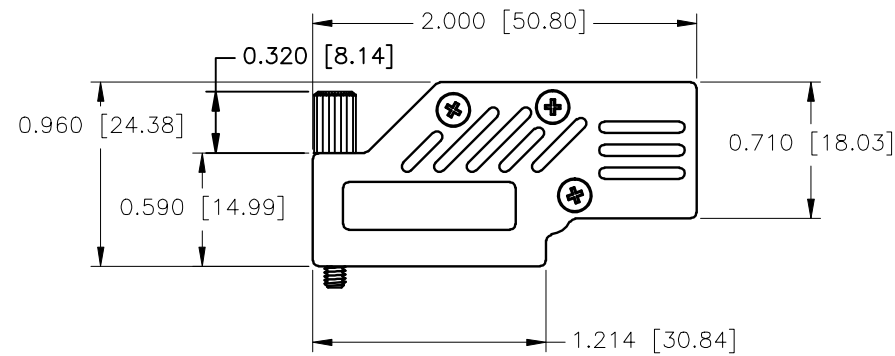
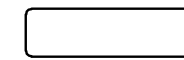


REVISIONS				
ZONE	REV	DESCRIPTION	DATE	APPROVED

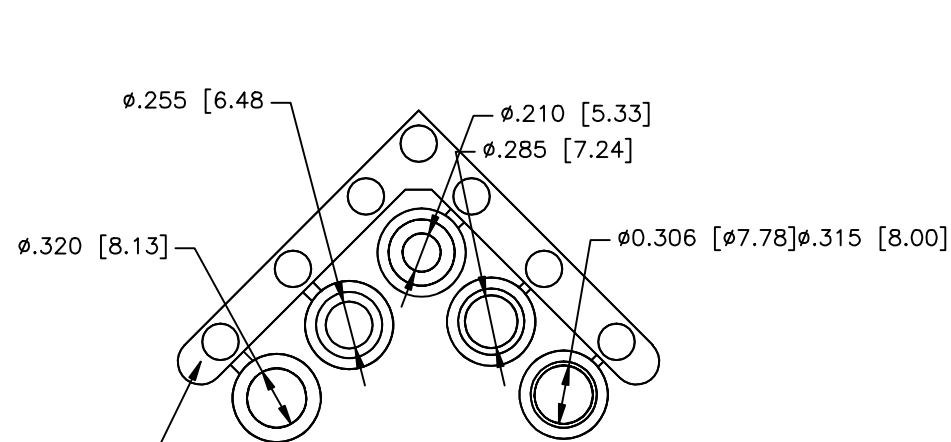
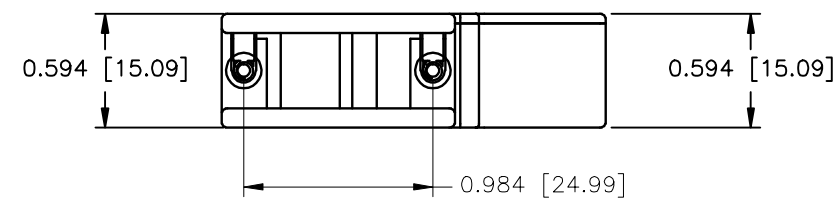


NO LOGO

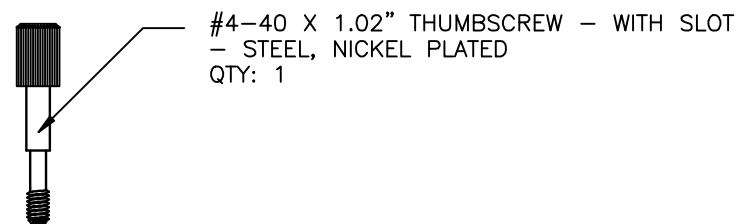
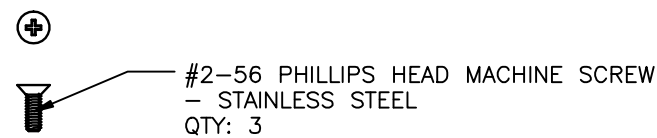
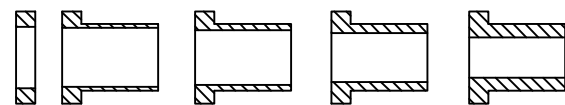


PART NUMBER INFORMATION

PART#	LOGO STYLE	SUPPLIED
NA30E900000T	NO LOGO TOP COVER	BULK
NA30E900100	BOTTOM COVER	BULK
N30E900000T	NO LOGO	PACKAGED



COMPRESSION INSERT TREE
QTY. 1



CONNECTOR COVER:

- 1.MATERIAL: ZINC ALLOY
- 2.FINISH: NICKEL PLATING PER NTC SPECIFICATION N/T 000400
- 3.DIMENSIONS: INCHES [MM]
- 4.TOLERANCE: ±0.015 [0.381]

COMPRESSION INSERT TREE

- 1.MATERIAL: THERMOPLASTIC
- 2.COLOR: BLACK
- 3.DUROMETER: 75 ±5 TYPE A PER ASTM D2240
- 4.DIMENSIONS: INCHES [MM]
- 5.TOLERANCE: ±0.020 [0.508]

THIS IS A CONTROLLED DOCUMENT AND IS SUBJECT TO CHANGE. CONTACT NORTHERN TECHNOLOGIES ENGINEERING FOR THE LATEST REVISION.

UNLESS OTHERWISE SPECIFIED 1. ALL DIMENSIONS ARE IN INCHES (MM) 2. DIMENSIONS ARE TYPICAL		Northern Technologies		
DRAWN JSD 02-JUN-06		PART NUMBER SEE PART NUMBER INFORMATION		
CHECKED SCN 02-JUN-06		DESCRIPTION CM 09 90 DEGREE ULTRA LOW PROFILE WITH THUMBSCREW		
ISSUED 02-JUN-06		SIZE B	CODE 200_169T	REV
		DWG NO. 0002-200-169T		
		SCALE 1:1		SHEET 1 OF 1