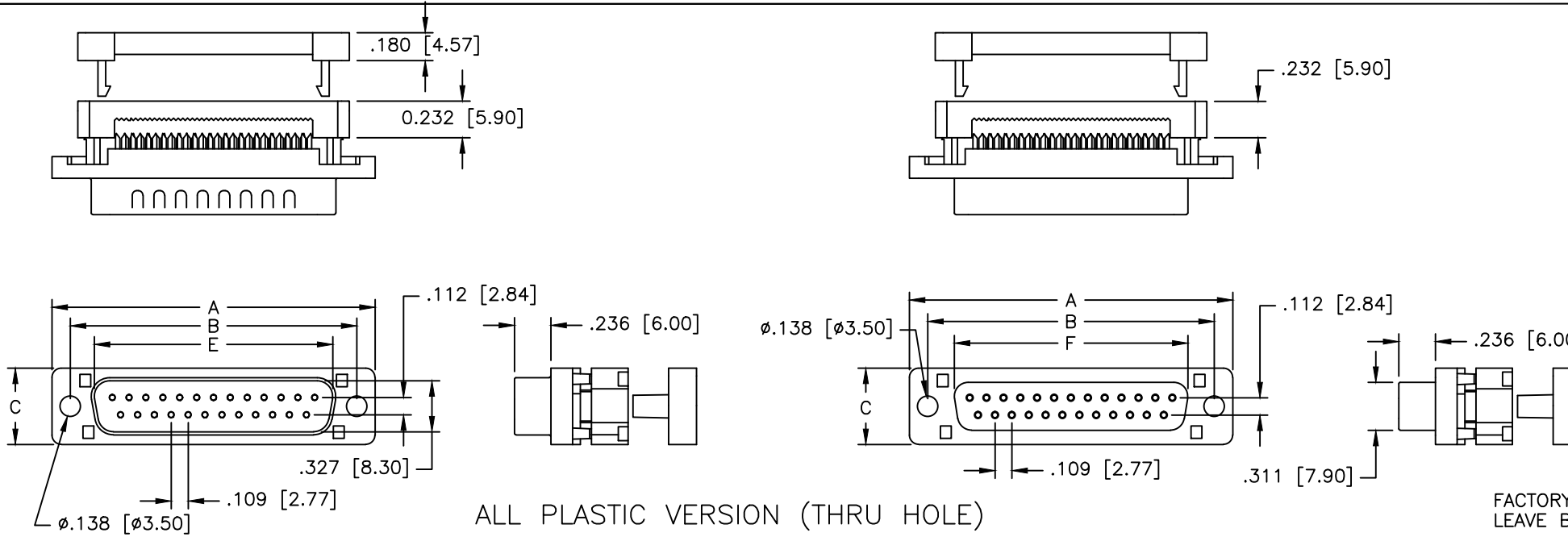


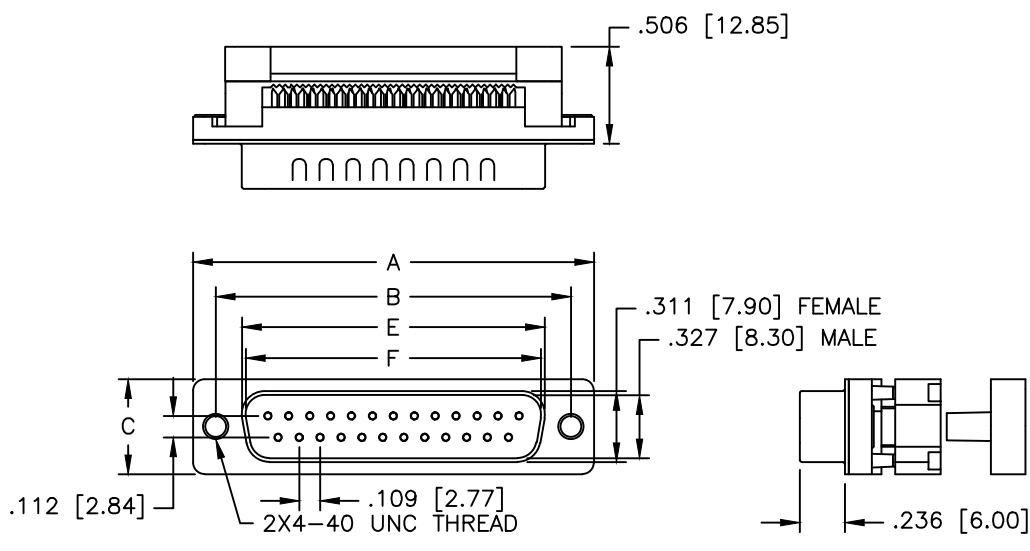
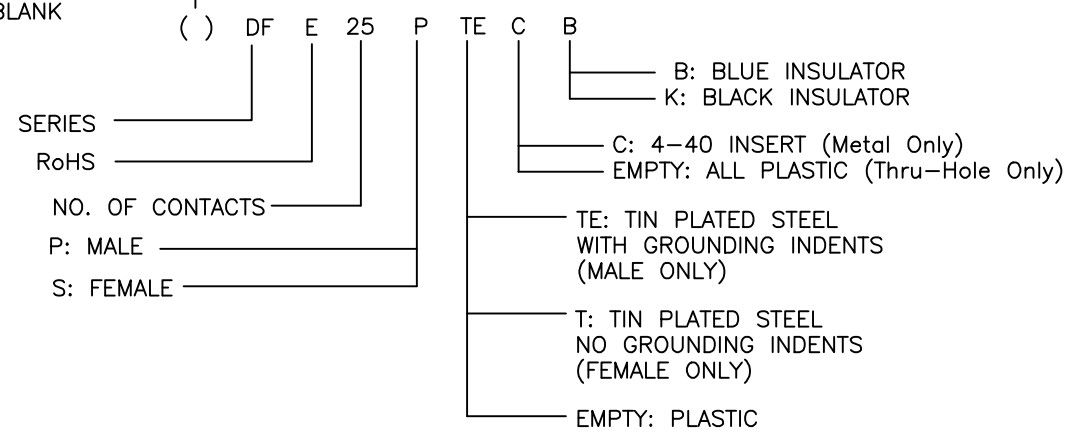
REVISIONS				
ZONE	REV	DESCRIPTION	DATE	APPROVED
	A	ECN 0619	25-AUG-06	
	B	ECN 0785	08-JUN-16	



ALL PLASTIC VERSION (THRU HOLE)

FACTORY DESIGNATOR
LEAVE BLANK ()

ORDER INFORMATION



4-40 INSERT (METAL ONLY VERSION)

DIMENSIONS INCHES [MM]						
No. of Contacts	Shell Size	A ±0.005 [±0.127]	B ±0.005 [±0.127]	C ±0.005 [±0.127]	E Max. Female ±0.005 [±0.127]	F Min. Male ±0.005 [±0.127]
09	E	1.213 [30.81]	0.984 [24.99]	0.494 [12.55]	0.643 [16.33]	0.666 [16.92]
15	A	1.541 [39.14]	1.312 [33.32]	0.494 [12.55]	0.971 [24.66]	0.994 [25.25]
25	B	2.088 [53.04]	1.852 [46.99]	0.494 [12.55]	1.511 [38.38]	1.534 [38.96]
37	C	2.729 [69.32]	2.500 [63.50]	0.494 [12.55]	2.159 [54.84]	2.182 [55.42]

NOTES:

- SHELL MATERIAL: SEE ORDER INFORMATION
- SHELL FINISH: SEE ORDER INFORMATION
- INSULATOR MATERIAL: PBT UL94V-0
- INSULATOR COLOR: SEE ORDER INFORMATION
- CONTACT MATERIAL: COPPER ALLOY
- MATING AREA CONTACT FINISH: GOLD OVER NICKEL
- TAIL AREA CONTACT FINISH: TIN OVER NICKEL
- TEMPERATURE RANGE: -55° TO +105° CENTIGRADE
- VOLTAGE RATING: 250 VAC
- CURRENT RATING: 3 AMPS MAX.
- INSULATION RESISTANCE: 3000 MEGOHMS MINIMUM @ 500 VDC
- CONTACT RESISTANCE: 15 MILLIOHMS MAX.
- DIELECTRIC WITHSTANDING VOLTAGE: 1000 VAC / 1 MINUTE
- COMPLIANCE NOTE:

PART MUST BE IN COMPLIANCE TO:
DIRECTIVE 2002/95/EC of 27 January 2003 [RoHS]

THIS IS A CONTROLLED DOCUMENT AND IS SUBJECT TO CHANGE. CONTACT NORTHERN TECHNOLOGIES ENGINEERING FOR THE LATEST REVISION.

UNLESS OTHERWISE SPECIFIED 1. ALL DIMENSIONS ARE IN INCHES (MM) 2. DIMENSIONS ARE TYPICAL		Northern Technologies <small>THIS DRAWING IS THE PROPERTY OF NORTHERN TECHNOLOGIES AND SHOULD NOT BE REPRODUCED WITHOUT NORTHERN TECHNOLOGIES WRITTEN PERMISSION.</small>		
DRAWN JSD 14-OCT-05		PART NUMBER SEE ORDER INFORMATION		
CHECKED SCN 14-OCT-05		DESCRIPTION DFE SERIES IDC RIBBON CABLE CONNECTORS		
ISSUED 14-OCT-05		SIZE B	CODE 200_164	DWG NO. 0002-200-164
		SCALE 1:1		REV
				SHEET 1 OF 1