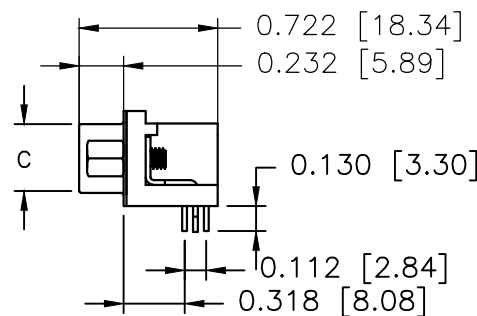
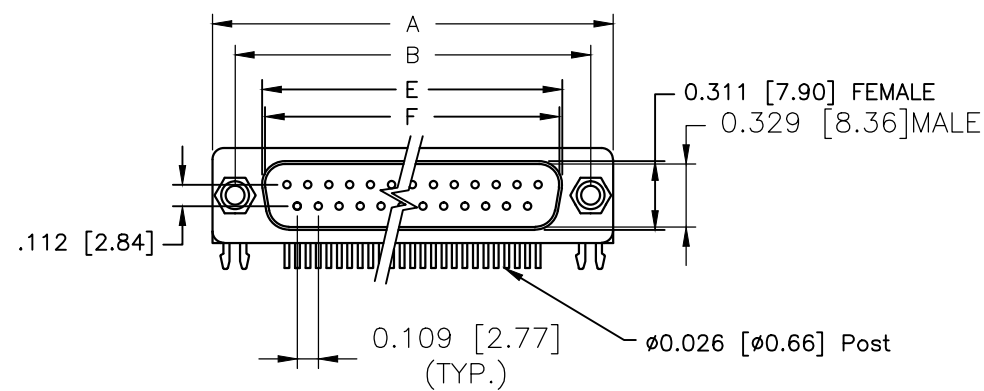


DIMENSIONS INCHES [MM]						
No. of Contacts	Shell Size	A ±0.010 [±0.254]	B ±0.010 [±0.254]	C ±0.010 [±0.254]	E Max. Female ±0.010 [±0.254]	F Min. Male ±0.010 [±0.254]
09	E	1.213 [30.81]	0.984 [24.99]	0.494 [12.55]	0.643 [16.33]	0.666 [16.92]
15	A	1.541 [39.14]	1.312 [33.32]	0.494 [12.55]	0.971 [24.66]	0.994 [25.25]
25	B	2.088 [53.04]	1.852 [46.99]	0.494 [12.55]	1.511 [38.38]	1.534 [38.96]
37	C	2.729 [69.32]	2.500 [63.50]	0.494 [12.55]	2.159 [54.84]	2.182 [55.42]

REVISIONS				
ZONE	REV	DESCRIPTION	DATE	APPROVED
	A	ECN 0619	25-AUG-06	
	B	ECN 0648	06-JUN-08	
	C	ECN 0785	08-JUN-16	



FACTORY DESIGNATOR
LEAVE BLANK

ORDER INFORMATION

() DR E 25 P TE 2 S XXX
 SERIES _____
 RoHS _____
 NO. OF CONTACTS _____
 P: MALE _____
 S: FEMALE _____
 TE: TIN PLATED WITH _____
 GROUNDING INDENTS (MALE ONLY)
 T: TIN PLATED NO _____
 GROUNDING INDENTS (FEMALE ONLY)

CONTACT FINISH:

- S: SELECTIVE GOLD FLASH OVER NICKEL
- EMPTY: GOLD FLASH OVER ENTIRE CONTACT
- S15: 15uI GOLD MATING END - TINNED SOLDER PCB END
- S30: 30uI GOLD MATING END - TINNED SOLDER PCB END

FRONT MOUNTING OPTIONS

- I: 4-40 THREADED INSERTS
- S: 4-40 FEMALE SCREWLOCKS .189 [4.80]

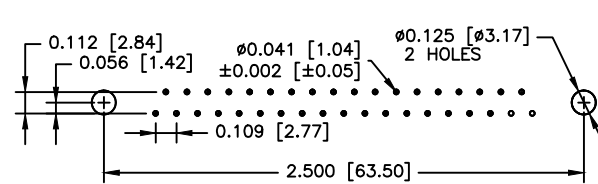
PCB MOUNTING OPTIONS

- 2: LOCKING FORKS

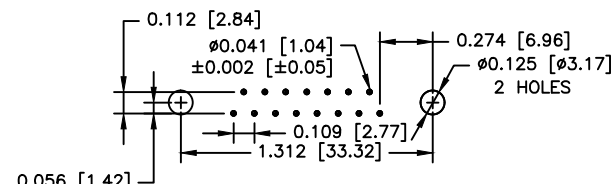
NOTES:

1. SHELL MATERIAL: STEEL
2. SHELL FINISH: TIN PLATED
3. INSULATOR MATERIAL: THERMOPLASTIC UL94V-0
4. INSULATOR COLOR: BLACK
5. CONTACT MATERIAL: COPPER ALLOY
6. CONTACT TYPE: STAMPED
7. CONTACT FINISH: SEE ORDER INFORMATION
8. CONTACT ENGAGEMENT FORCE: 12 oz. (3.4N) Max.
9. CONTACT SEPERATION FORCE: 0.75 oz. (0.2N) Min.
10. TEMPERATURE RANGE: -55° TO +105° CENTIGRADE
11. VOLTAGE RATING: 250 VAC
12. CURRENT RATING: 3 AMPS
13. INSULATION RESISTANCE: >3000 MEGOHMS @ 500 VDC
14. CONTACT RESISTANCE: <15 MILLIOHMS
15. DIELECTRIC WITHSTANDING VOLTAGE: 1000 VAC MIMIMUM (1 MINUTE)
16. COMPLIANCE NOTE:
PART MUST BE IN COMPLIANCE TO:
DIRECTIVE 2002/95/EC of 27 January 2003 [RoHS]

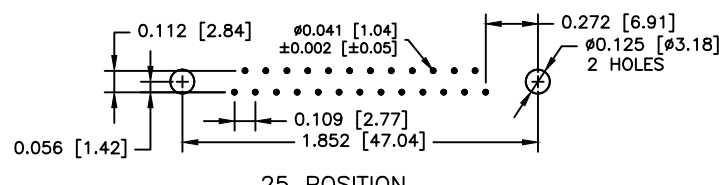
RECOMMENDED PCB HOLE PATTERNS



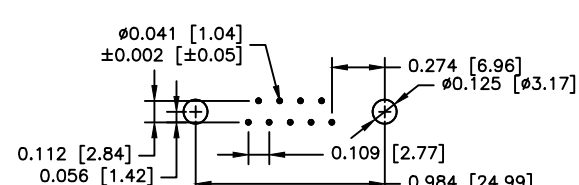
37 POSITION



15 POSITION



25 POSITION



9 POSITION

THIS IS A CONTROLLED DOCUMENT AND IS SUBJECT TO CHANGE. CONTACT NORTHERN TECHNOLOGIES ENGINEERING FOR THE LATEST REVISION.

UNLESS OTHERWISE SPECIFIED

1. ALL DIMENSIONS ARE IN INCHES (MM)
2. DIMENSIONS ARE TYPICAL

Northern Technologies

THIS DRAWING IS THE PROPERTY OF NORTHERN TECHNOLOGIES AND SHOULD NOT BE REPRODUCED WITHOUT NORTHERN TECHNOLOGIES WRITTEN PERMISSION.

PART NUMBER SEE ORDER INFORMATION

DESCRIPTION
DRE SERIES CONNECTORS 0.318 FOOTPRINT]

DRAWN	JSD	09-DEC-05	SIZE B	CODE 200_159	DWG NO. 0002-200-159	REV
CHECKED	SCN	09-DEC-05	SCALE N.T.S.		SHEET 1 OF 1	
ISSUED		09-DEC-05				