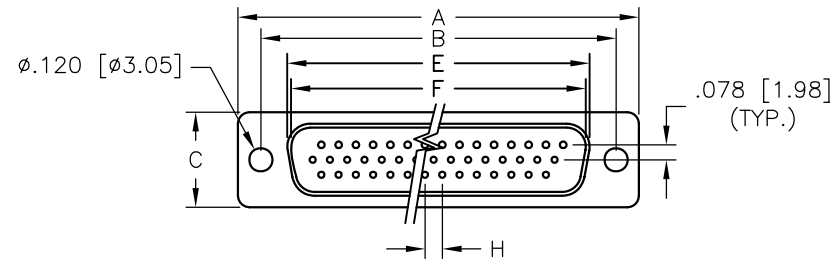
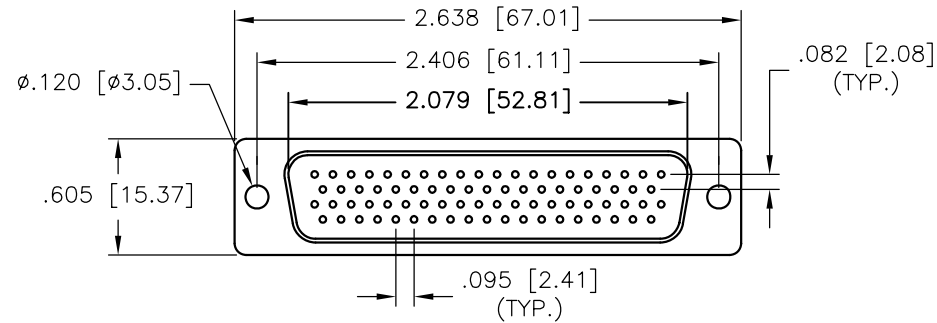
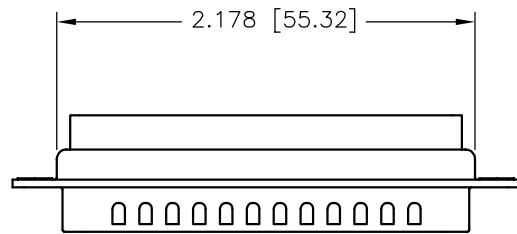
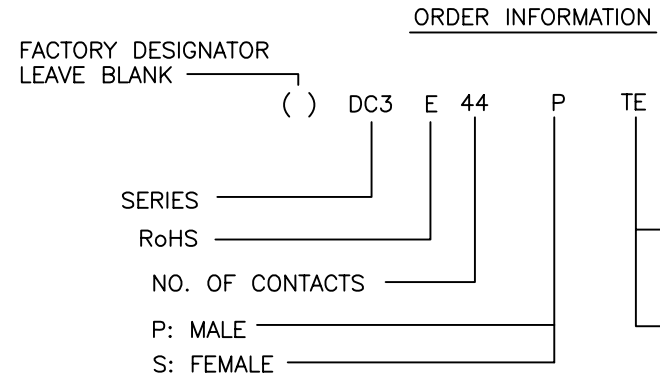
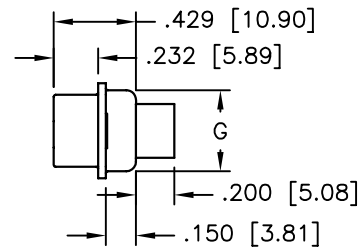


| DC3 SERIES CONNECTORS | | DIMENSIONS INCHES [MM] | | | | | | | |
|-----------------------|------------|-------------------------|-------------------------|-------------------------|-------------------------|-------------------------------------|-----------------------------------|-------------------------|-------------------------|
| No. of Contacts | Shell Size | A ±0.010 [±0.254] | B ±0.010 [±0.254] | C ±0.010 [±0.254] | D ±0.010 [±0.254] | E Max. Female ±0.010 [±0.254] | F Min. Male ±0.010 [±0.254] | G ±0.010 [±0.254] | H ±0.010 [±0.254] |
| 15 | E | 1.213 [30.81] | 0.984 [24.99] | 0.494 [12.55] | 0.759 [19.28] | 0.643 [16.33] | 0.666 [16.92] | 0.422 [10.72] | 0.090 [2.29] |
| 26 | A | 1.541 [39.14] | 1.310 [33.27] | 0.494 [12.55] | 1.089 [27.65] | 0.971 [24.66] | 0.994 [25.25] | 0.422 [10.72] | 0.090 [2.29] |
| 44 | B | 2.088 [53.04] | 1.850 [46.99] | 0.494 [12.55] | 1.626 [41.30] | 1.511 [38.38] | 1.534 [38.96] | 0.422 [10.72] | 0.090 [2.29] |
| 62 | C | 2.730 [69.34] | 2.500 [63.50] | 0.494 [12.55] | 2.261 [57.44] | 2.159 [54.84] | 2.182 [55.42] | 0.422 [10.72] | 0.095 [2.41] |
| 78 | D | 2.638 [67.00] | 2.406 [61.11] | 0.605 [15.37] | 2.178 [55.32] | 2.064 [52.43] | 2.079 [52.81] | 0.533 [13.55] | 0.095 [2.41] |

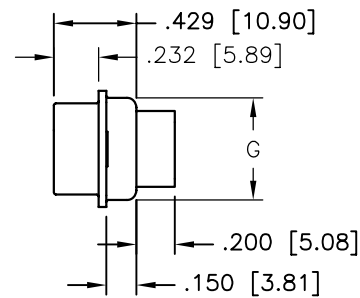
| REVISIONS | | | | |
|-----------|-----|-------------|-----------|----------|
| ZONE | REV | DESCRIPTION | DATE | APPROVED |
| | A | ECN 0619 | 25-AUG-06 | |



15 THROUGH 62 POSITION



78 POSITION



NOTES:

- SHELL MATERIAL: STEEL
- SHELL FINISH: SEE ORDER INFORMATION
- INSULATOR MATERIAL: GLASS FILLED PBT UL94V-0
- INSULATOR COLOR: BLACK
- VOLTAGE RATING: 250 VAC
- CURRENT RATING: 3 AMPS MAX
- INSULATION RESISTANCE: 3000 MEGOHMS MIN @ 500 VDC
- TEMPERATURE RANGE: -55° TO +105° CENTIGRADE
- COMPLIANCE NOTE:

PART MUST BE IN COMPLIANCE TO:
DIRECTIVE 2002/95/EC of 27 January 2003 [RoHS]

THIS IS A CONTROLLED DOCUMENT AND IS SUBJECT TO CHANGE. CONTACT NORTHERN TECHNOLOGIES ENGINEERING FOR THE LATEST REVISION.

| | | | | |
|---|-----------|---|--------------|----------------------|
| UNLESS OTHERWISE SPECIFIED 1. ALL DIMENSIONS ARE IN INCHES (MM) 2. DIMENSIONS ARE TYPICAL | | Northern Technologies <small>THIS DRAWING IS THE PROPERTY OF NORTHERN TECHNOLOGIES AND SHOULD NOT BE REPRODUCED WITHOUT NORTHERN TECHNOLOGIES WRITTEN PERMISSION.</small> | | |
| DRAWN JSD 13-OCT-05 | | PART NUMBER SEE ORDER INFORMATION | | |
| CHECKED SCN 13-OCT-05 | | DESCRIPTION DC3E SERIES CONNECTORS [RoHS] | | |
| ISSUED | 13-OCT-05 | SIZE B | CODE 200_154 | DWG NO. 0002-200-154 |
| | | SCALE 1:1 | SHEET 1 OF 1 | |