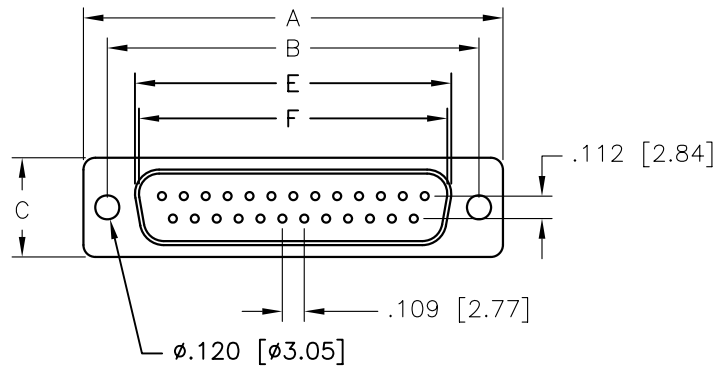
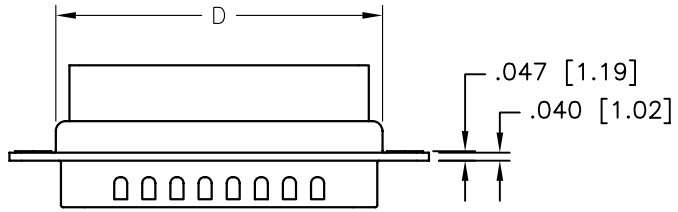
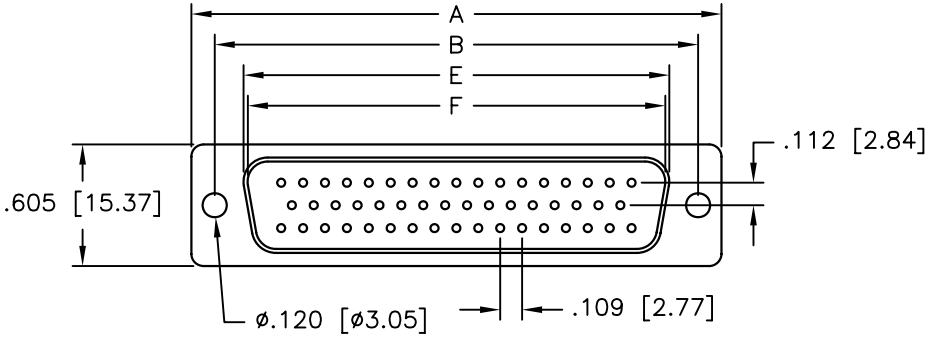
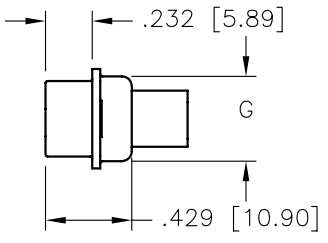


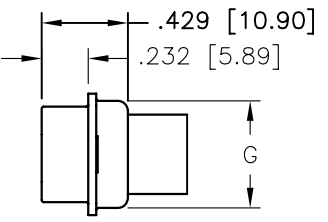
REVISIONS				
ZONE	REV	DESCRIPTION	DATE	APPROVED



9 THROUGH 37 POSITION



50 POSITION

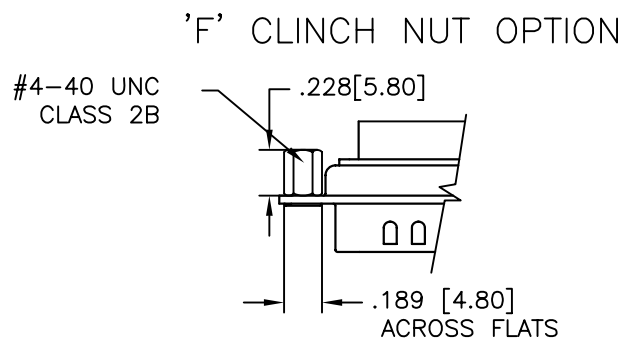
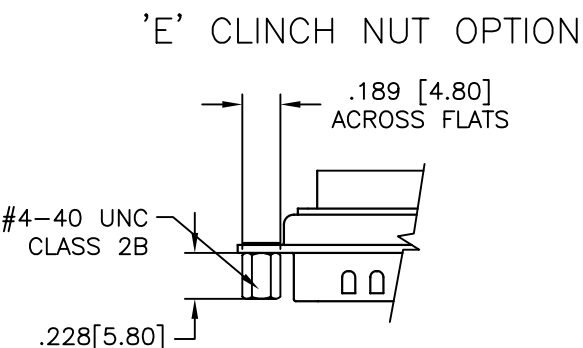
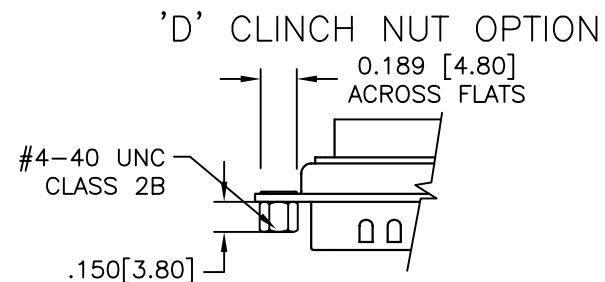
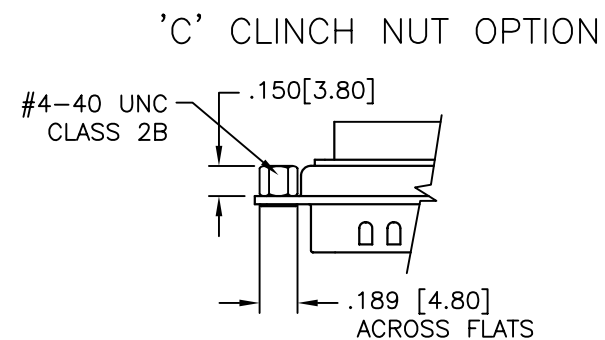


DC SERIES CONNECTORS		DIMENSIONS INCHES [MM]						
No. of Contacts	Shell Size	A ± 0.010 [± 0.254]	B ± 0.010 [± 0.254]	C ± 0.010 [± 0.254]	D ± 0.010 [± 0.254]	E Max. Female ± 0.010 [± 0.254]	F Min. Male ± 0.010 [± 0.254]	G ± 0.010 [± 0.254]
09	E	1.213 [30.81]	0.984 [24.99]	0.494 [12.55]	0.759 [19.28]	0.643 [16.33]	0.666 [16.92]	0.422 [10.72]
15	A	1.541 [39.14]	1.310 [33.27]	0.494 [12.55]	1.089 [27.65]	0.971 [24.66]	0.994 [25.25]	0.422 [10.72]
25	B	2.088 [53.04]	1.850 [46.99]	0.494 [12.55]	1.626 [41.30]	1.511 [38.38]	1.534 [38.96]	0.422 [10.72]
37	C	2.730 [69.34]	2.500 [63.50]	0.494 [12.55]	2.261 [57.44]	2.159 [54.84]	2.182 [55.42]	0.422 [10.72]
50	D	2.638 [67.00]	2.406 [61.11]	0.605 [15.37]	2.178 [55.32]	2.064 [52.43]	2.079 [52.81]	0.527 [13.40]

THIS IS A CONTROLLED DOCUMENT AND IS SUBJECT TO CHANGE. CONTACT NORTHERN TECHNOLOGIES ENGINEERING FOR THE LATEST REVISION.

UNLESS OTHERWISE SPECIFIED 1. ALL DIMENSIONS ARE IN INCHES (MM) 2. DIMENSIONS ARE TYPICAL		Northern Technologies			THIS DRAWING IS THE PROPERTY OF NORTHERN TECHNOLOGIES AND SHOULD NOT BE REPRODUCED WITHOUT NORTHERN TECHNOLOGIES WRITTEN PERMISSION.	
DRAWN JSD 13-OCT-05		PART NUMBER SEE ORDER INFORMATION DESCRIPTION DCE SERIES CONNECTORS				
CHECKED SCN 13-OCT-05	ISSUED 13-OCT-05	SIZE B	CODE 200_153	DWG NO. 0002-200-153	REV	
		SCALE 1:1			SHEET 1 OF 2	

REVISIONS				
ZONE	REV	DESCRIPTION	DATE	APPROVED
	A	ECN 0619	25-AUG-06	
	B	ECN 0622	19-OCT-06	
	C	ECN 0639	05-DEC-07	
	D	ECN 0653	16-MAY-08	



FACTORY DESIGNATOR
LEAVE BLANK

ORDER INFORMATION

() DC E 25 P TE C

SERIES _____

RoHS _____

NO. OF CONTACTS _____

P: MALE _____

S: FEMALE _____

EMPTY: NO OPTIONS
 C: REAR MOUNT CLINCH NUT .150 [3.80]
 D: FRONT MOUNT CLINCH NUT 0.150 [3.80]
 E: FRONT MOUNT CLINCH NUT 0.228 [5.80]
 F: REAR MOUNT CLINCH NUT 0.228 [5.80]

TE: TIN PLATED WITH
GROUNDING INDENTS
(MALE ONLY)

T: TIN PLATED NO
GROUNDING INDENTS
(FEMALE ONLY)

NE: NICKEL PLATED WITH
GROUNDING INDENTS
(MALE ONLY)

N: NICKEL PLATED NO
GROUNDING INDENTS
(FEMALE ONLY)

NOTES:

1. SHELL MATERIAL: STEEL
2. SHELL FINISH: SEE ORDER INFORMATION
3. INSULATOR MATERIAL: GLASS FILLED PBT UL94V-0
4. INSULATOR COLOR: BLACK
5. VOLTAGE RATING: 250 VAC
6. CURRENT RATING: 3 AMPS MAX
7. INSULATION RESISTANCE: 3000 MEGOHMS MIN @ 500 VDC
8. DIELECTRIC WITHSTANDING VOLTAGE: 1000 VAC / 1 MINUTE
9. TEMPERATURE RANGE: -55° TO +105° CENTIGRADE

THIS IS A CONTROLLED DOCUMENT AND IS SUBJECT TO CHANGE. CONTACT NORTHERN TECHNOLOGIES ENGINEERING FOR THE LATEST REVISION.

UNLESS OTHERWISE SPECIFIED		Northern Technologies <small>THIS DRAWING IS THE PROPERTY OF NORTHERN TECHNOLOGIES AND SHOULD NOT BE REPRODUCED WITHOUT NORTHERN TECHNOLOGIES WRITTEN PERMISSION.</small>		
1. ALL DIMENSIONS ARE IN INCHES (MM)		PART NUMBER SEE ORDER INFORMATION		
2. DIMENSIONS ARE TYPICAL		DESCRIPTION DCE SERIES CONNECTORS		
DRAWN	JSD	13-OCT-05	SIZE B	CODE 200_153
CHECKED	SCN	13-OCT-05	DWG NO.	0002-200-153
ISSUED		13-OCT-05	SCALE 1:1	SHEET 2 OF 2