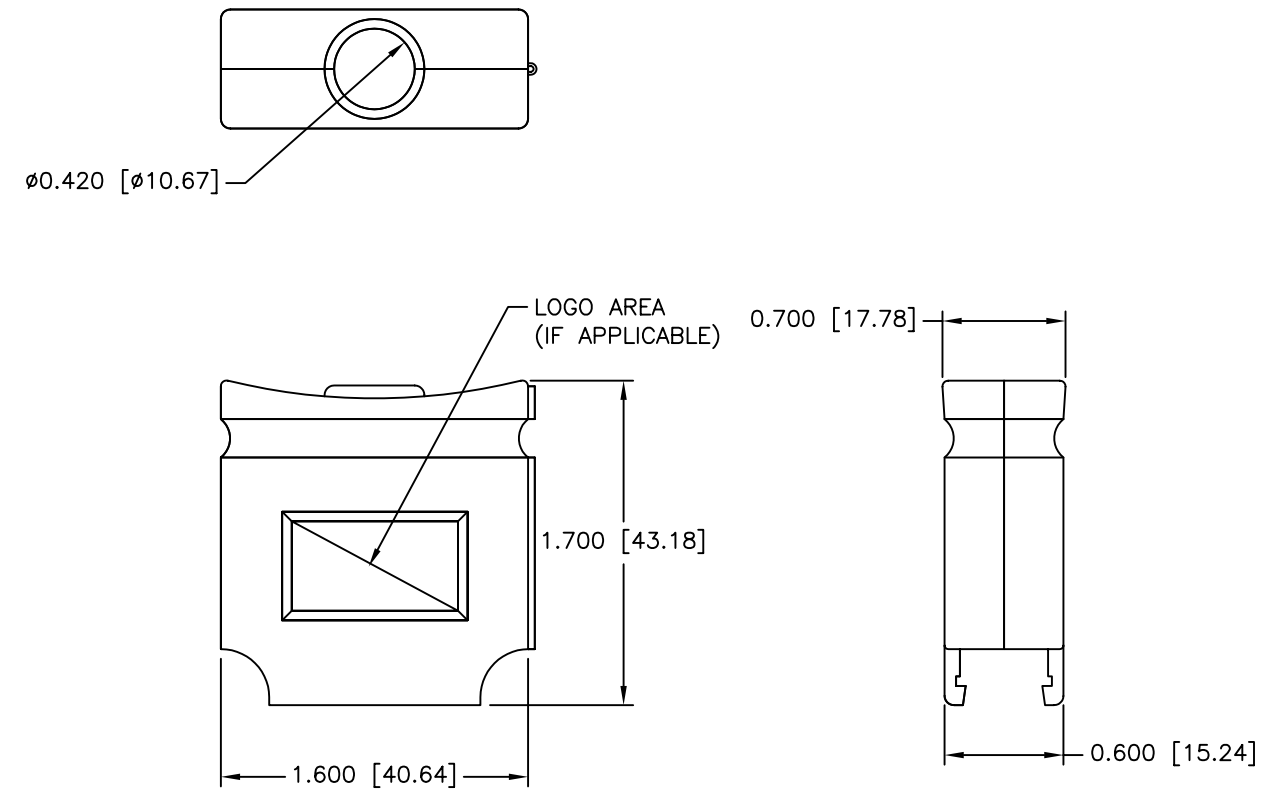
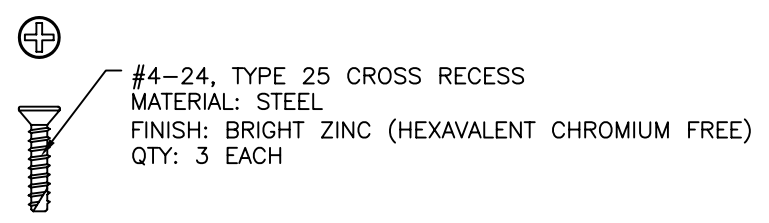
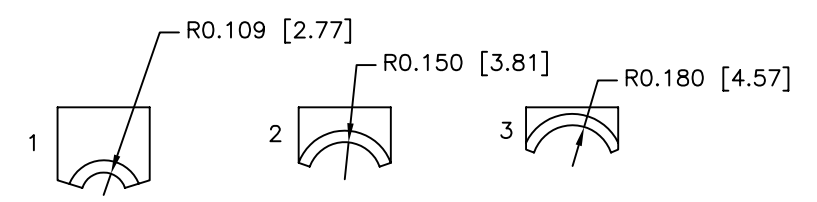


REVISIONS				
ZONE	REV	DESCRIPTION	DATE	APPROVED



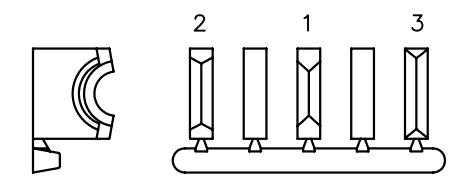
PART NUMBER INFORMATION

PART#	LOGO STYLE	SUPPLIED
A29E922253	NO LOGO	BULK
C88E000274	NO LOGO	PACKAGED
A29E922252	NORTECH LOGO	BULK
C88E000273	NORTECH LOGO	PACKAGED



CONNECTOR COVER:
 1. MATERIAL: POLYPROPYLENE HOMOPOLYMER
 2. COLOR: BLACK
 3. DIMENSIONS: INCHES [MM]
 4. TOLERANCE: ± 0.015 [0.381]

INSERT TREE
 1. MATERIAL: POLYPROPYLENE HOMOPOLYMER
 2. COLOR: BLACK
 3. DIMENSIONS: INCHES [MM]
 4. TOLERANCE: ± 0.015 [0.381]



INSERT TREE
 QTY: 1

THIS IS A CONTROLLED DOCUMENT AND IS SUBJECT TO CHANGE. CONTACT NORTHERN TECHNOLOGIES ENGINEERING FOR THE LATEST REVISION.

UNLESS OTHERWISE SPECIFIED 1. ALL DIMENSIONS ARE IN INCHES (MM) 2. DIMENSIONS ARE TYPICAL		Northern Technologies <small>THIS DRAWING IS THE PROPERTY OF NORTHERN TECHNOLOGIES AND SHOULD NOT BE REPRODUCED WITHOUT NORTHERN TECHNOLOGIES WRITTEN PERMISSION.</small>		
DRAWN JSD		PART NUMBER SEE PART NUMBER INFORMATION		
CHECKED SCN		DESCRIPTION CP 25 STR EXIT COVER		
ISSUED		SIZE B	CODE 200_142	DWG NO. 0002-200-142
08-FEB-05		SCALE 1:1		REV
08-FEB-05		SHEET 1 OF 1		