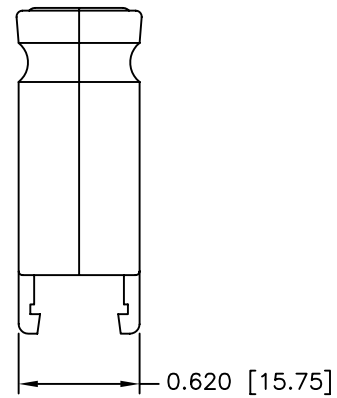
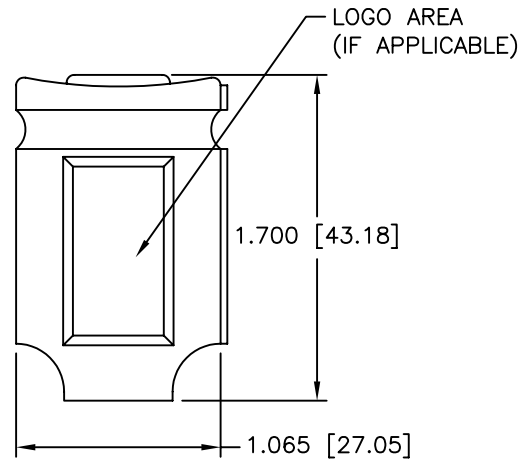
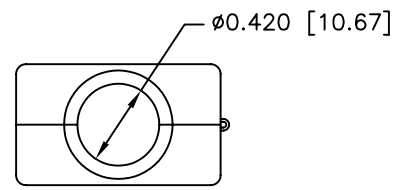
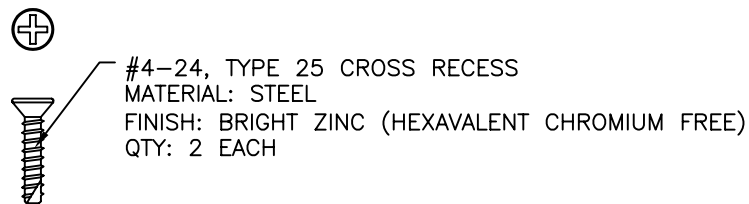
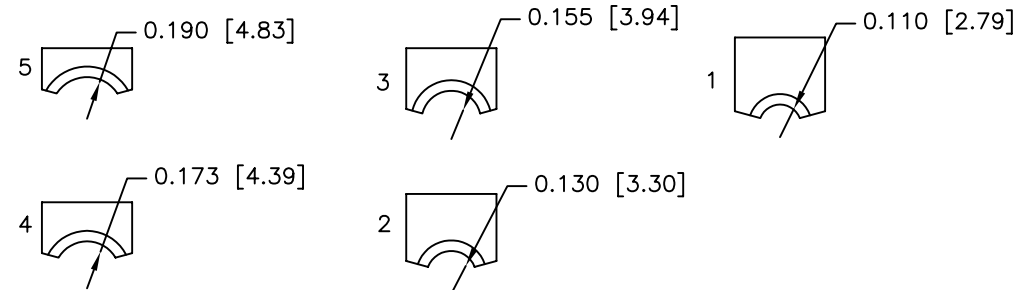


REVISIONS				
ZONE	REV	DESCRIPTION	DATE	APPROVED



PART NUMBER INFORMATION

PART#	LOGO STYLE	SUPPLIED
A29E922159	NO LOGO	BULK
C88E000216	NO LOGO	PACKAGED
A29E922152	NORTECH LOGO	BULK
C88E000263	NORTECH LOGO	PACKAGED

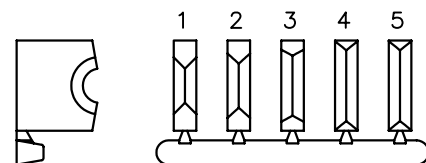


CONNECTOR COVER:

- 1. MATERIAL: POLYPROPYLENE HOMOPOLYMER
- 2. COLOR: BLACK
- 3. DIMENSIONS: INCHES [MM]
- 4. TOLERANCE: ±0.015 [0.381]

INSERT TREE

- 1. MATERIAL: POLYPROPYLENE HOMOPOLYMER
- 2. COLOR: BLACK
- 3. DIMENSIONS: INCHES [MM]
- 4. TOLERANCE: ±0.015 [0.381]



INSERT TREE
QTY: 1

THIS IS A CONTROLLED DOCUMENT AND IS SUBJECT TO CHANGE. CONTACT NORTHERN TECHNOLOGIES ENGINEERING FOR THE LATEST REVISION.

UNLESS OTHERWISE SPECIFIED 1. ALL DIMENSIONS ARE IN INCHES (MM) 2. DIMENSIONS ARE TYPICAL		Northern Technologies <small>THIS DRAWING IS THE PROPERTY OF NORTHERN TECHNOLOGIES AND SHOULD NOT BE REPRODUCED WITHOUT NORTHERN TECHNOLOGIES WRITTEN PERMISSION.</small>		
DRAWN JSD		PART NUMBER SEE PART NUMBER INFORMATION		
CHECKED SCN		DESCRIPTION CP 15 STR EXIT COVER		
ISSUED		SIZE B	CODE 200_141	DWG NO. 0002-200-141
08-FEB-05		SCALE 1:1		REV
08-FEB-05		SHEET 1 OF 1		