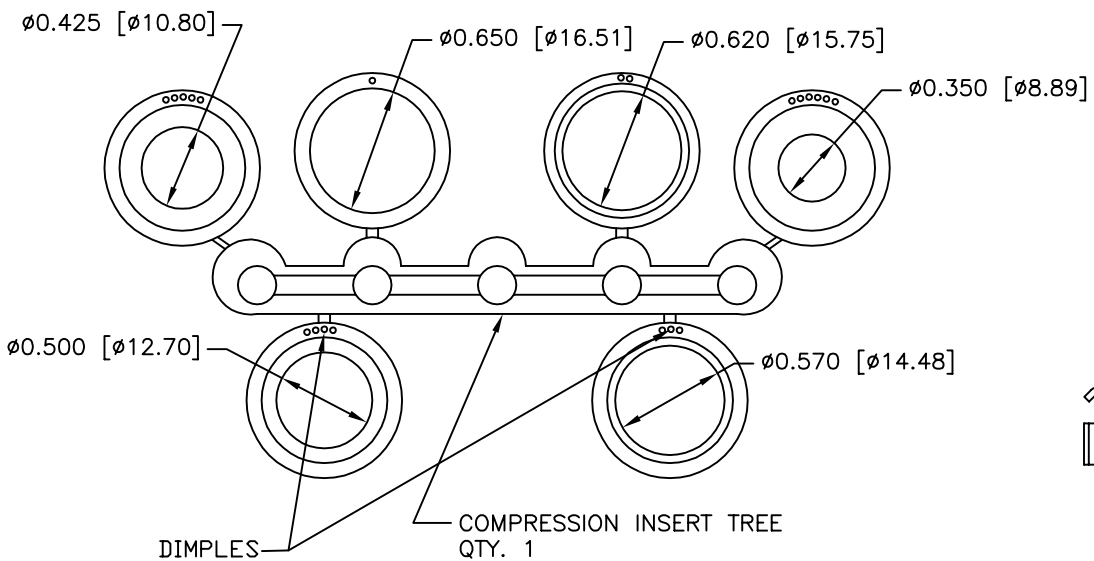


**PART NUMBER INFORMATION**

PART#	LOGO STYLE	SUPPLIED
A30E330000	NO LOGO	BULK
C88E330000	NO LOGO	PACKAGED
A30E331000	NORTECH LOGO*	BULK
C88E331000	NORTECH LOGO*	PACKAGED

\* - SPECIAL ORDER ITEM - CONTACT NORTHERN TECHNOLOGIES



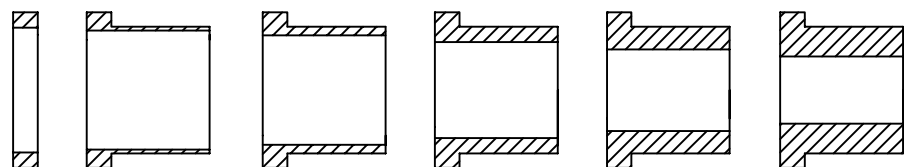
- #4-40 X 7/16" FILLISTER HEAD MACHINE SCREW  
MATERIAL - STEEL  
FINISH - BRIGHT ZINC (HEXAVALENT CHROMIUM FREE)  
QTY: 2 EACH
- #4-40 #2 BLANK HEX NUT  
MATERIAL - STEEL  
FINISH - BRIGHT ZINC (HEXAVALENT CHROMIUM FREE)  
QTY: 2 EACH
- #4-40 X 1/2" FILLISTER HEAD CAPTIVE SCREW  
MATERIAL - STEEL  
FINISH - BRIGHT ZINC (HEXAVALENT CHROMIUM FREE)  
QTY: 2 EACH
- #4 SADDLE WASHER  
MATERIAL - STEEL  
FINISH - BRIGHT ZINC (HEXAVALENT CHROMIUM FREE)  
QTY: 2 EACH

**CONNECTOR COVER:**

1. MATERIAL: ABS COMPOUND - UL94HB
2. FINISH: NICKEL PLATING PER NTC SPECIFICATION N/T 000500
3. DIMENSIONS: INCHES [MM]
4. TOLERANCE: ±0.015 [0.381]

**COMPRESSION INSERT TREE**

1. MATERIAL: THERMOPLASTIC
2. COLOR: BLACK
3. DUROMETER: 75 ±5 TYPE A PER ASTM D2240
4. DIMENSIONS: INCHES [MM]
5. TOLERANCE: ±0.020 [0.508]



THIS IS A CONTROLLED DOCUMENT AND IS SUBJECT TO CHANGE. CONTACT NORTHERN TECHNOLOGIES ENGINEERING FOR THE LATEST REVISION.

REVISIONS				
ZONE	REV	DESCRIPTION	DATE	APPROVED
	A	ECN 0553	20-MAY-05	
	B	ECN 0577	06-OCT-05	
	C	ECN 0599	10-AUG-06	

UNLESS OTHERWISE SPECIFIED 1. ALL DIMENSIONS ARE IN INCHES (MM) 2. DIMENSIONS ARE TYPICAL		<b>Northern Technologies</b> <small>THIS DRAWING IS THE PROPERTY OF NORTHERN TECHNOLOGIES AND SHOULD NOT BE REPRODUCED WITHOUT NORTHERN TECHNOLOGIES WRITTEN PERMISSION.</small>		
DRAWN JSD 10-FEB-05		PART NUMBER SEE PART NUMBER INFORMATION		
CHECKED SCN 10-FEB-05		DESCRIPTION CMP 37 STR EXIT TWO PIECE METALIZED PLASTIC COVER		
ISSUED 10-FEB-05	SCALE 1:1	SIZE B	CODE 200_134	DWG NO. 0002-200-134
				REV
				SHEET 1 OF 1