

PART NUMBER INFORMATION
COLOR: BLACK

PART#	LOGO STYLE	SUPPLIED
A30E220004	NO LOGO	BULK
C88E220004	NO LOGO	PACKAGED
A30E221004	NORTECH LOGO	BULK
C88E221004	NORTECH LOGO	PACKAGED

COLOR: GRAY

PART#	LOGO STYLE	SUPPLIED
A30E220005	NO LOGO	BULK
C88E220005	NO LOGO	PACKAGED
A30E221005	NORTECH LOGO*	BULK
C88E221005	NORTECH LOGO*	PACKAGED

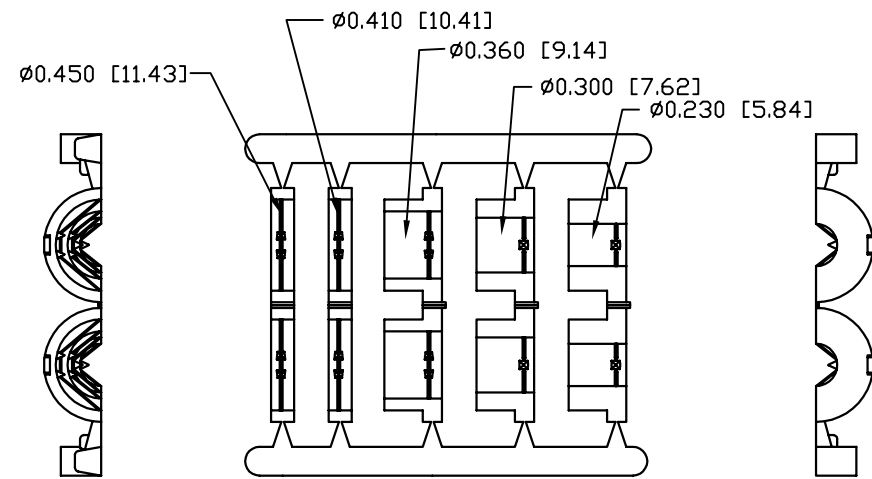
* - SPECIAL ORDER ITEM - CONTACT NORTHERN TECHNOLOGIES

CONNECTOR COVER:

- 1.MATERIAL: THERMOPLASTIC UL94V-0
- 2.COLOR: BLACK OR GRAY (SEE PART NUMBER INFORMATION)
- 3.DIMENSIONS: INCHES [MM]
- 4.TOLERANCE: ±0.015 [0.381]

JACKET INSERT TREE

- 1.MATERIAL: POLYPROPYLENE HOMOPOLYMER
- 2.COLOR: BLACK
- 3.DIMENSIONS: INCHES [MM]
- 4.TOLERANCE: ±0.010 [0.254]



JACKET INSERT TREE
QTY: 1

#4-40 X 7/16" FILLISTER HEAD MACHINE SCREW
MATERIAL - STEEL
FINISH - BRIGHT ZINC (HEXAVALENT CHROMIUM FREE)
QTY: 2 EACH

#4-40 #2 BLANK HEX NUT
MATERIAL - STEEL
FINISH - BRIGHT ZINC (HEXAVALENT CHROMIUM FREE)
QTY: 2 EACH

#4-40 X 1/2" FILLISTER HEAD CAPTIVE SCREW
MATERIAL - STEEL
FINISH - BRIGHT ZINC (HEXAVALENT CHROMIUM FREE)
QTY: 2 EACH

#4 SADDLE WASHER
MATERIAL - STEEL
FINISH - BRIGHT ZINC (HEXAVALENT CHROMIUM FREE)
QTY: 2 EACH

THIS IS A CONTROLLED DOCUMENT AND IS SUBJECT TO CHANGE. CONTACT NORTHERN TECHNOLOGIES ENGINEERING FOR THE LATEST REVISION.

UNLESS OTHERWISE SPECIFIED

1. ALL DIMENSIONS ARE IN INCHES (MM)
2. DIMENSIONS ARE TYPICAL

Northern Technologies

THIS DRAWING IS THE PROPERTY OF NORTHERN TECHNOLOGIES AND SHOULD NOT BE REPRODUCED WITHOUT NORTHERN TECHNOLOGIES WRITTEN PERMISSION.

PART NUMBER SEE PART NUMBER INFORMATION

DESCRIPTION CPP 25 45 DEGREE EXIT
TWO PIECE PLASTIC COVER

DRAWN JSD	27-APR-05	SIZE B	CODE 200_129	DWG NO. 0002-200-129	REV
CHECKED SCN	27-APR-05	SCALE 1:1		SHEET 1 OF 1	
ISSUED	01-SEP-05				