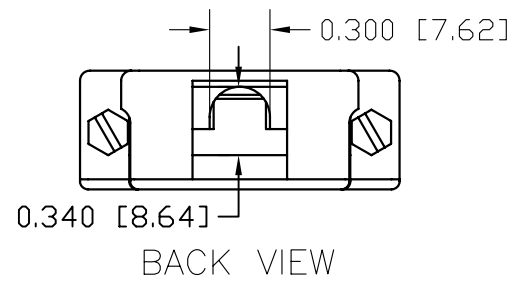
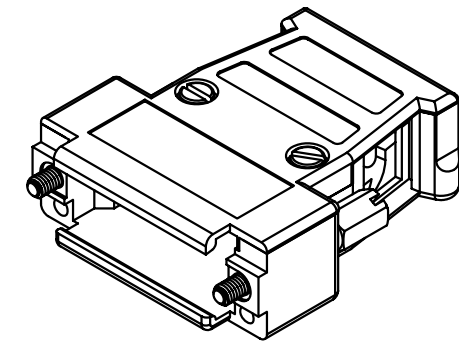
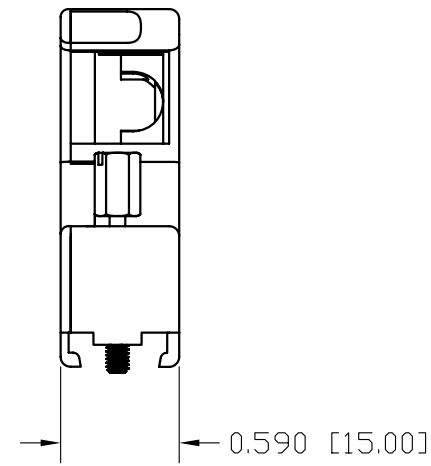
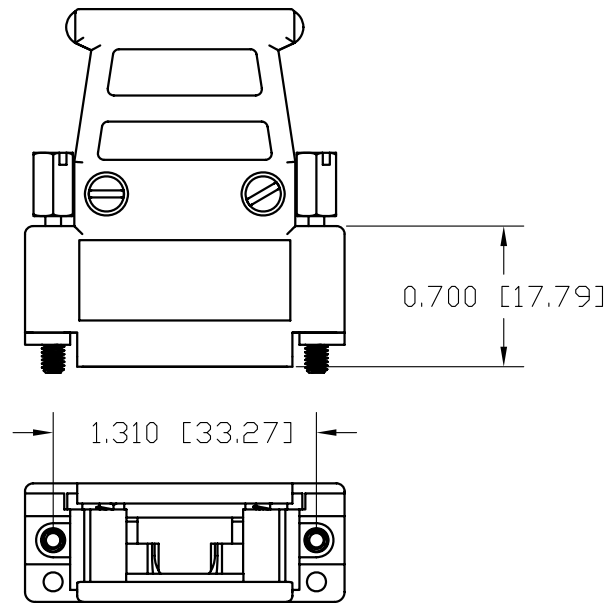
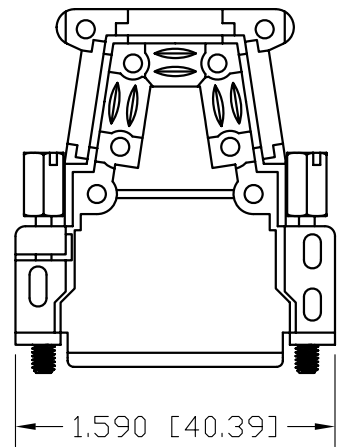


REVISIONS				
ZONE	REV	DESCRIPTION	DATE	APPROVED



PART NUMBER INFORMATION

PART#	LOGO STYLE	SUPPLIED
MHDE3MK15KS	NO LOGO	PACKAGED

CONNECTOR COVER:

- 1.MATERIAL: PLATING GRADE ABS
- 2.FINISH: NICKEL OVER COPPER UNDER-PLATE
- 3.DIMENSIONS: INCHES [MM]
- 4.TOLERANCE: ±0.015 [0.381]

4-40 UNC THUMBSCREW – LOW CARBON STEEL  
FINISH: ZINC PLATE  
QTY: 2 EACH

QTY: 1  
CABLE CLAMP – CR STEEL,  
FINISH: ZINC PLATE

BLANKING PLATES – CR STEEL,  
FINISH: ZINC PLATE  
QTY: 2 EACH

ASSEMBLY SCREWS – CR STEEL,  
FINISH: ZINC PLATE  
QTY: 4 EACH

UNLESS OTHERWISE SPECIFIED		<b>Northern Technologies</b> <small>THIS DRAWING IS THE PROPERTY OF NORTHERN TECHNOLOGIES AND SHOULD NOT BE REPRODUCED WITHOUT NORTHERN TECHNOLOGIES WRITTEN PERMISSION.</small>		
1. ALL DIMENSIONS ARE IN INCHES (MM) 2. DIMENSIONS ARE TYPICAL				
DRAWN Luis C.		PART NUMBER SEE PART NUMBER INFORMATION		
16-JUL-08		DESCRIPTION CMP3 15 3 WAY EXIT METALIZED PLASTIC COVER		
CHECKED JSD	16-JUL-08	SIZE B	CODE 200_119	DWG NO. 0002-200-119
ISSUED	25-JUL-08	SCALE N.T.S.		REV SHEET 1 OF 1