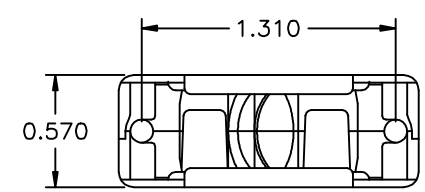
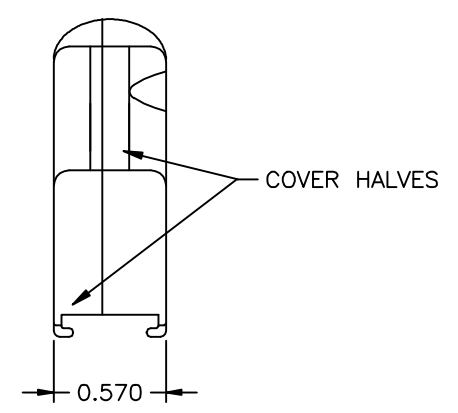
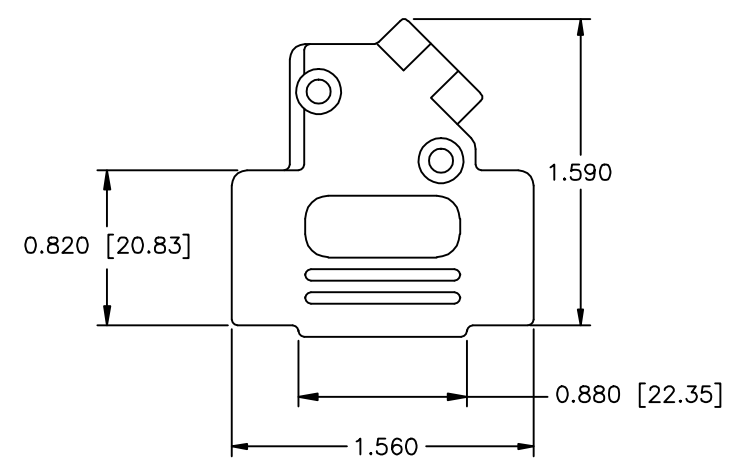


REVISIONS				
ZONE	REV	DESCRIPTION	DATE	APPROVED
	A	ECN 0636	25-SEP-07	
	B	ECN 0638	03-DEC-07	
	C	ECN 0693	25-FEB-11	
	D	ECN 0784		06-JUN-16
	E	ECN 0793	27-JUL-16	

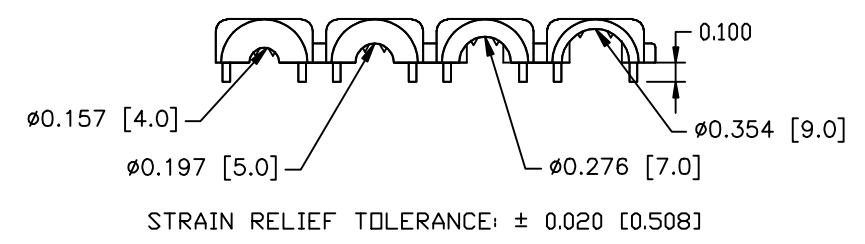
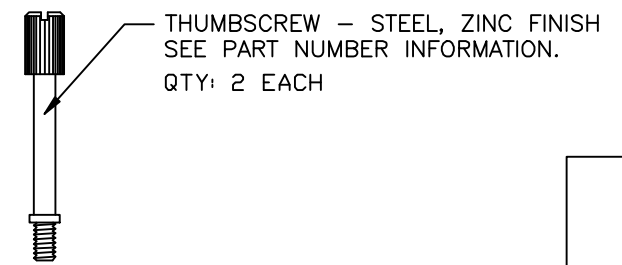
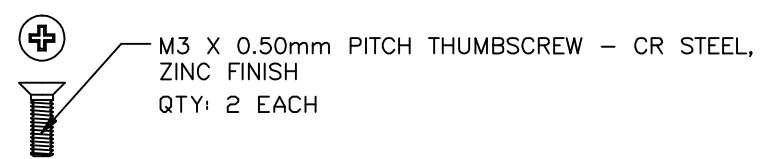
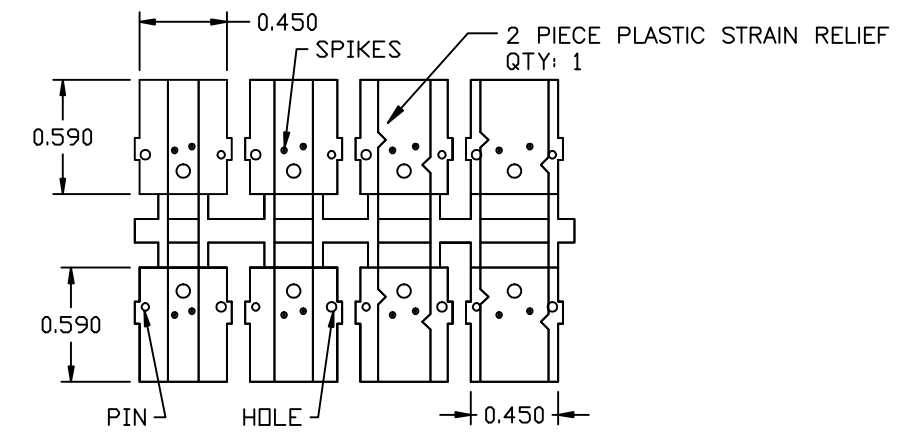


NO LOGO

PART#	THUMBSCREW	SUPPLIED
MHDE45ZK15K	#4-40 THREAD	PACKAGED
MHDE45ZK15KM25	M2.5 THREAD	PACKAGED
MHDE45ZK15KM26	M2.6 THREAD	PACKAGED
MHDE45ZK15KM3	M3 THREAD	PACKAGED

CONNECTOR COVER:  
 1.MATERIAL: ZINC DIE-CAST  
 2.FINISH: NICKEL OVER COPPER UNDERPLATE  
 3.DIMENSIONS: INCHES [MM]  
 4.TOLERANCE: ±0.015 [0.381]

COMPRESSION INSERT TREE  
 1.MATERIAL: THERMOPLASTIC  
 2.COLOR: BLACK  
 3.DUROMETER: 70 - TYPE D  
 4.DIMENSIONS: INCHES [MM]  
 5.TOLERANCE: ±0.015 [0.381]



THIS IS A CONTROLLED DOCUMENT AND IS SUBJECT TO CHANGE. CONTACT NORTHERN TECHNOLOGIES ENGINEERING FOR THE LATEST REVISION.

UNLESS OTHERWISE SPECIFIED 1. ALL DIMENSIONS ARE IN INCHES (MM) 2. DIMENSIONS ARE TYPICAL		<b>Northern Technologies</b> <small>THIS DRAWING IS THE PROPERTY OF NORTHERN TECHNOLOGIES AND SHOULD NOT BE REPRODUCED WITHOUT NORTHERN TECHNOLOGIES WRITTEN PERMISSION.</small>		
DRAWN JSD 06-MAY-05		PART NUMBER SEE PART NUMBER INFORMATION		
CHECKED SCN 06-MAY-05		DESCRIPTION CMA 15 45 DEGREE EXIT METAL COVER		
ISSUED	06-MAY-05	SIZE B	CODE 200_113	DWG NO. 0002-200-113
		SCALE 1:1		SHEET 1 OF 1