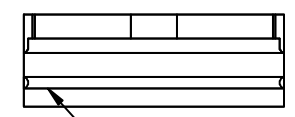
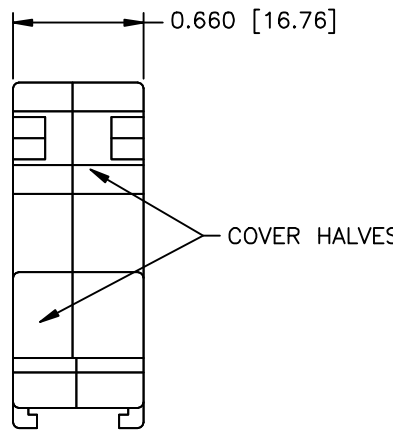
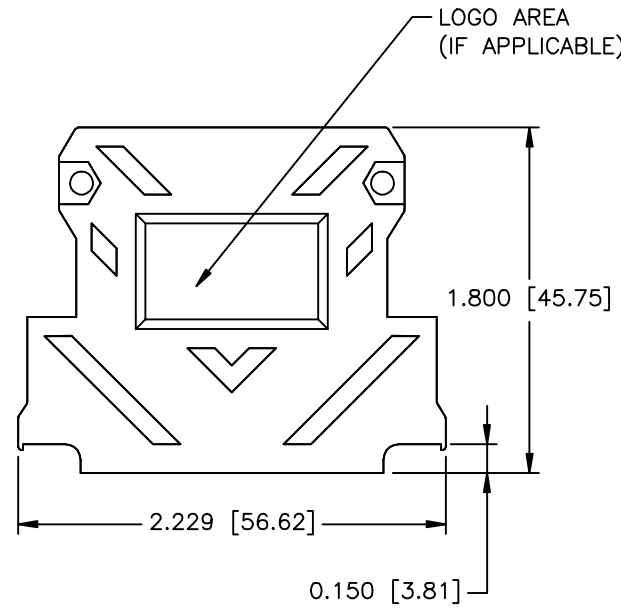
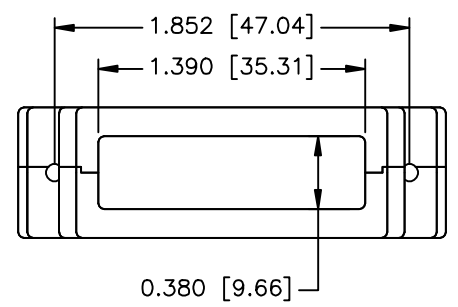
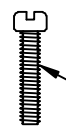


REVISIONS				
ZONE	REV	DESCRIPTION	DATE	APPROVED



1.350 [34.29] X 0.480 [12.19]  
PVC FLAT INSERT.  
QTY: 2 EACH



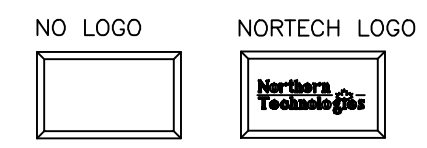
#4-40 X 7/16" FILLISTER HEAD MACHINE  
SCREW - STEEL,  
BRIGHT ZINC-HEXAVALENT CHROMIUM FREE  
QTY: 2 EACH



#4-40 #2 BLANK HEX NUT - STEEL,  
BRIGHT ZINC- HEXAVALENT CHROMIUM FREE  
QTY: 2 EACH



#4-40 X 0.918" FILLISTER HEAD CAPTIVE  
SCREW - STEEL,  
BRIGHT ZINC-HEXAVALENT CHROMIUM FREE  
QTY: 2 EACH



**PART NUMBER INFORMATION**

PART#	LOGO STYLE	SUPPLIED
NA30E520000	NO LOGO	BULK
N88E520000	NO LOGO	PACKAGED
NA30E521000	NORTECH LOGO*	BULK
N88E521000	NORTECH LOGO*	PACKAGED

\* - SPECIAL ORDER ITEM - CONTACT NORTHERN TECHNOLOGIES

**CONNECTOR COVER:**

- 1.MATERIAL: ZINC ALLOY
- 2.FINISH: NICKEL OVER COPPER PER NTC SPECIFICATION N/T 000400
- 3.DIMENSIONS: INCHES [MM]
- 4.TOLERANCE: ±0.015 [0.381]

**COMPRESSION INSERT TREE**

- 1.MATERIAL: THERMOPLASTIC
- 2.COLOR: BLACK
- 3.DUROMETER: 75 ±5 TYPE A PER ASTM D2240
- 4.DIMENSIONS: INCHES [MM]
- 5.TOLERANCE: ±0.020 [0.508]

THIS IS A CONTROLLED DOCUMENT AND IS  
SUBJECT TO CHANGE. CONTACT NORTHERN  
TECHNOLOGIES ENGINEERING FOR THE  
LATEST REVISION.

UNLESS OTHERWISE SPECIFIED 1. ALL DIMENSIONS ARE IN INCHES (MM) 2. DIMENSIONS ARE TYPICAL		<b>Northern Technologies</b>			THIS DRAWING IS THE PROPERTY OF NORTHERN TECHNOLOGIES AND SHOULD NOT BE REPRODUCED WITHOUT NORTHERN TECHNOLOGIES WRITTEN PERMISSION.	
DRAWN JSD		02-JAN-13		PART NUMBER SEE PART NUMBER INFORMATION		
CHECKED SCN		02-JAN-13		DESCRIPTION CMF 25 METAL RIBBON CABLE COVER Ni		
ISSUED		01-JUN-13		SIZE B	CODE 200_107N	DWG NO. 0002-200-107N
				SCALE 1:1	SHEET 1 OF 1	