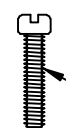



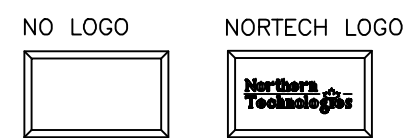


-  #4-40 X 7/16" FILLISTER HEAD MACHINE SCREW
MATERIAL - STEEL
FINISH - BRIGHT ZINC
QTY: 2 EACH
-  #4-40 #2 BLANK HEX NUT
MATERIAL - STEEL
FINISH - BRIGHT ZINC
QTY: 2 EACH
-  FILLISTER HEAD CAPTIVE SCREW
HEAD STYLE - SEE PAGE 2
MATERIAL - SEE PAGE 2
FINISH - SEE PAGE 2
QTY: 2 EACH
-  #4 SADDLE WASHER
MATERIAL - STEEL
FINISH - BRIGHT ZINC
QTY: 2 EACH



CONNECTOR COVER:
 1. MATERIAL: ZINC ALLOY
 2. FINISH: NICKEL PLATING PER NTC SPECIFICATION N/T 000400
 3. DIMENSIONS: INCHES [MM]
 4. TOLERANCE: ±0.015 [0.381]

COMPRESSION INSERT TREE
 1. MATERIAL: THERMOPLASTIC
 2. COLOR: BLACK
 3. DUROMETER: 75 ±5 TYPE A PER ASTM D2240
 4. DIMENSIONS: INCHES [MM]
 5. TOLERANCE: ±0.020 [0.508]

REVISIONS				
ZONE	REV	DESCRIPTION	DATE	APPROVED
	A	ECN 0771A	09-JUN-15	

UNLESS OTHERWISE SPECIFIED		Northern Technologies <small>THIS DRAWING IS THE PROPERTY OF NORTHERN TECHNOLOGIES AND SHOULD NOT BE REPRODUCED WITHOUT NORTHERN TECHNOLOGIES WRITTEN PERMISSION.</small>		
1. ALL DIMENSIONS ARE IN INCHES (MM) 2. DIMENSIONS ARE TYPICAL				
DRAWN JSD 31-MAY-10		PART NUMBER SEE PART NUMBER INFORMATION		
CHECKED SCN 31-MAY-10		DESCRIPTION CM 25 METAL COVER Ni		
ISSUED 31-MAY-10		SIZE B	CODE 200_103N	DWG NO. 0002-200-103N
		SCALE NTS		REV
				SHEET 1 OF 2

THIS IS A CONTROLLED DOCUMENT AND IS SUBJECT TO CHANGE. CONTACT NORTHERN TECHNOLOGIES ENGINEERING FOR THE LATEST REVISION.

PART NUMBER INFORMATION

PART#	WITH #4-40 X 1/2" CAPTIVE SCREWS (SLOT HEAD)	SUPPLIED
N29E821255	NO LOGO COVER TOP	BULK
N29E921250	NORTECH LOGO COVER TOP	BULK
N30E120100	COVER BOTTOM	BULK
N88E000204	NO LOGO	PACKAGED
N88E000203	NORTECH LOGO	PACKAGED

PART#	WITH #4-40 X 7/16" CAPTIVE SCREWS (SLOT HEAD)	SUPPLIED
N29E8212551	NO LOGO COVER TOP	BULK
N29E9212501	NORTECH LOGO COVER TOP	BULK
N30E120100	COVER BOTTOM	BULK
N88E0002041	NO LOGO	PACKAGED
N88E0002031	NORTECH LOGO	PACKAGED

PART#	WITH M2.5 X 12.7MM CAPTIVE SCREWS (SLOT HEAD)	SUPPLIED
N29E821255M25S	NO LOGO COVER TOP	BULK
N29E921250M25S	NORTECH LOGO COVER TOP	BULK
N30E120100	COVER BOTTOM	BULK
N88E000204M25S	NO LOGO	PACKAGED
N88E000203M25S	NORTECH LOGO	PACKAGED

PART#	WITH M2.6 X 12.7MM CAPTIVE SCREWS (SLOT HEAD)	SUPPLIED
N29E821255M26S	NO LOGO COVER TOP	BULK
N29E921250M26S	NORTECH LOGO COVER TOP	BULK
N30E120100	COVER BOTTOM	BULK
N88E000204M26S	NO LOGO	PACKAGED
N88E000203M26S	NORTECH LOGO	PACKAGED

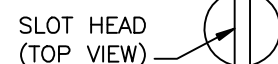
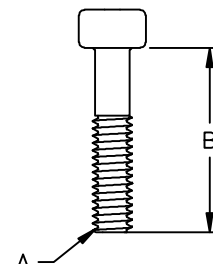
PART#	WITH M3 X 12.7MM CAPTIVE SCREWS (SLOT HEAD)	SUPPLIED
N29E821255M3S	NO LOGO COVER TOP	BULK
N29E921250M3S	NORTECH LOGO COVER TOP	BULK
N30E120100	COVER BOTTOM	BULK
N88E000204M3S	NO LOGO	PACKAGED
N88E000203M3S	NORTECH LOGO	PACKAGED

PART#	WITH #4-40 X 1/2" CAPTIVE SCREWS (PHILLIPS HEAD)	SUPPLIED
N29E821255PS	NO LOGO COVER TOP	BULK
N29E921250PS	NORTECH LOGO COVER TOP	BULK
N30E120100	COVER BOTTOM	BULK
N88E000204PS	NO LOGO	PACKAGED
N88E000203PS	NORTECH LOGO	PACKAGED

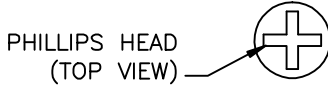
THIS IS A CONTROLLED DOCUMENT AND IS SUBJECT TO CHANGE. CONTACT NORTHERN TECHNOLOGIES ENGINEERING FOR THE LATEST REVISION.

REVISIONS				
ZONE	REV	DESCRIPTION	DATE	APPROVED
	A	ECN 0771A	09-JUN-15	

FILLISTER HEAD CAPTIVE SCREW



SLOT HEAD (TOP VIEW)



PHILLIPS HEAD (TOP VIEW)

THREAD (A)	LENGTH (B)	HEAD STYLE	MATERIAL	PLATING
#4-40 UNC	1/2 INCH	SLOT	COLD ROLL STEEL	ZINC
#4-40 UNC	7/16 INCH	SLOT	COLD ROLL STEEL	ZINC
M2.5 X .45MM	12.7 MM	SLOT	LOW CARBON STEEL	ZINC
M2.6 X .45MM	12.7 MM	SLOT	LOW CARBON STEEL	ZINC
M3 X .5MM	12.7 MM	SLOT	LOW CARBON STEEL	ZINC
#4-40 UNC	1/2 INCH	PHILLIPS	LOW CARBON STEEL	ZINC

UNLESS OTHERWISE SPECIFIED 1. ALL DIMENSIONS ARE IN INCHES [MM] 2. DIMENSIONS ARE TYPICAL		Northern Technologies <small>THIS DRAWING IS THE PROPERTY OF NORTHERN TECHNOLOGIES AND SHOULD NOT BE REPRODUCED WITHOUT NORTHERN TECHNOLOGIES WRITTEN PERMISSION.</small>		
DRAWN JSD		PART NUMBER SEE PART NUMBER INFORMATION		
CHECKED SCN		DESCRIPTION CM 25 METAL COVER Ni		
ISSUED		SIZE B	CODE 200_103N	DWG NO. 0002-200-103N
31-MAY-10		SCALE NTS		REV
31-MAY-10		SHEET 2 OF 2		